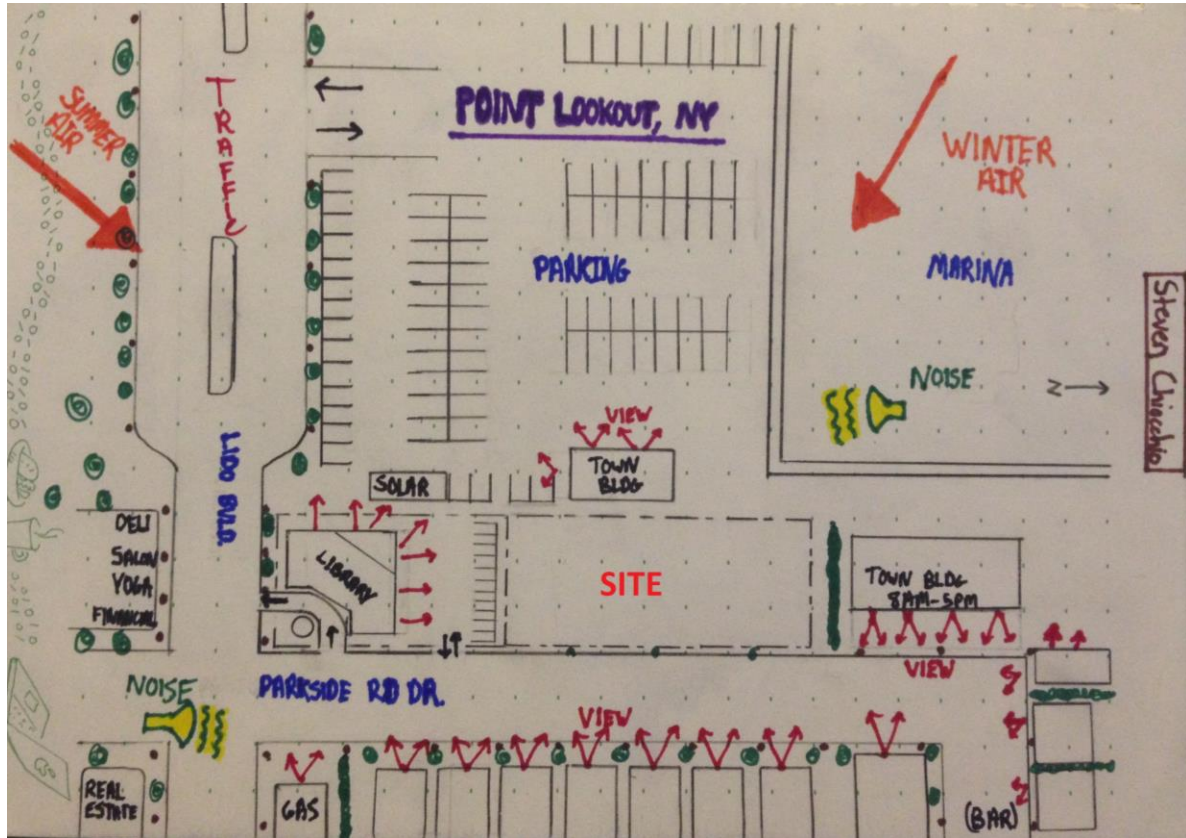


# Pre-Design Submission



Steven Chiochio

Arc 466-Spring 2015

Professor Anderson

*Table of Contents*

Project Precedence\_\_\_\_\_ 3-4

Site Development Essay Presentation\_\_\_\_\_ 5-7

Preliminary Designs\_\_\_\_\_ 8-9

ToolBase Technologies\_\_\_\_\_ 10-12

Variances\_\_\_\_\_ 13-22

Design Specification Summary\_\_\_\_\_ 23

Design Specification Sheets\_\_\_\_\_ 24-79

# Project Precedence

Assignment one was a simple way to start the process of learning and gathering information to be used towards the end goal; designing project 3.

Project 1 was the first major step in preparing for Project 3. We were assigned to design a house and construct a model for a

house with a skinny lot size of 25'x100'. From this project, I

learned many key rules of thumb and considerations to pay attention to while designing

houses. New building technology via toolbase was also used in my building. I designed the



house based on a number of factors. One of the more

important rules of thumb during this project was paying

attention to room placement while keeping the sun path in

mind. I want natural light to shine into certain rooms during

certain times of the day. Assignment one part two was a great way to get us thinking about the

interior layout. We were given three different sets of criteria to work with. We were instructed

to design the three houses for the specific needs of

the clients. There were some issues that occurred

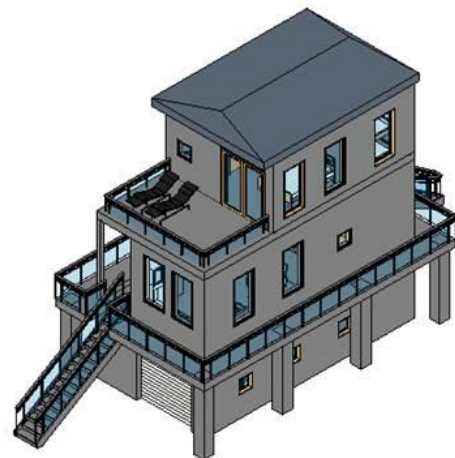
while doing this assignment. Many people had

trouble with house two because it was for a family of

four with three bedrooms. It was a challenge to fit all

three bedrooms while satisfying the other needs of

the client such as a full bathroom, a half bathroom, a kitchen, living room, dining room, and a



storage area. This assignment helped prepare me for real life situations. If you are designing a house for a client, and space is very limited, you have to work with what you are given and find a few solutions that satisfy all of the needs of the client. Part three of this assignment was the final part. We had to take our models from part two of the assignment and make sure they are FEMA compliant. Project two was a great way to gain knowledge on designing resilient housing. We made a guide of 10 key recommendations for rebuilding a home to make it resilient towards future storms. After gathering all of this information from project 1 and 2, and assignments one through three, we have all the resources we need to complete project three. We will be constructing row housing on the site behind the library in Point Lookout.



# Site Development

The demographic of Point Lookout affects this project in many ways. Some of the demographics that affect this project are as follows.

Population in 2010: 1,219. Population change since 2000: -17.2%

Males: 558 (45.8%)  
Females: 661 (54.2%)

Median resident age: 50.7 years  
New York median age: 40.7 years

Zip codes: [11569](#).

Estimated median household income in 2012: \$104,125 (it was \$69,821 in 2000)  
Point Lookout: \$104,125  
NY: \$56,448

Estimated per capita income in 2012: \$74,747 (it was \$39,953 in 2000)

[Point Lookout CDP income, earnings, and wages data](#)

Estimated median house or condo value in 2012: \$656,509 (it was \$404,000 in 2000)  
Point Lookout: \$656,509  
NY: \$280,900

Mean prices in 2011: All housing units: \$757,748; Detached houses: \$757,748

Median gross rent in 2012: \$1,913.

There seems to be a trend in the housing market of Point Lookout. Many residents are retiring in the Point Lookout community and keeping their lots in the family, being passed down from generation to generation.

There are many different types of housing that can fit on my site. Some of these options are townhouses, apartment buildings, single family housing, multi-family housing, etc. I have selected to use a combination of single and multi-family housing on my site. I believe this is the

best way to fit a decent amount of people on these lots while still maintaining a connection to the other houses in the community. The single family houses will fit in the best with the surrounding dwellings because most of the houses in Point Lookout are built for single families. I chose to make a multi-family dwelling due to many reasons such as its availability for rent, lower cost, and ability to fit more people into this community. I am planning on allowing the multi-family dwellings to be for rent while the single family houses are open for purchase. This is a way to allow an opportunity for new families to be a part of the Point Lookout Community. Most of the families in this community have been living in this area for generations and generations. With the addition of these new houses, more generations of different families will have the pleasure of experiencing all that Point Lookout has to offer; including the brand new library built for the community.

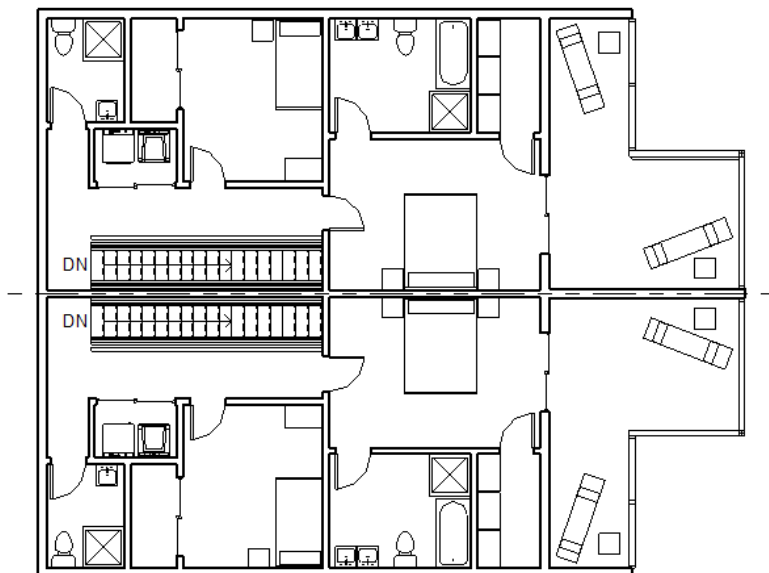
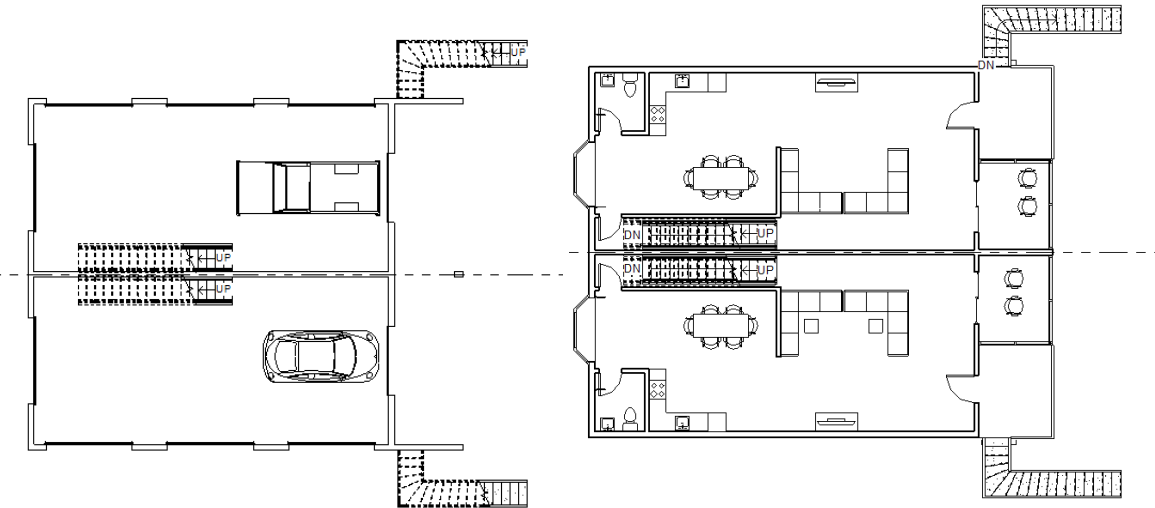
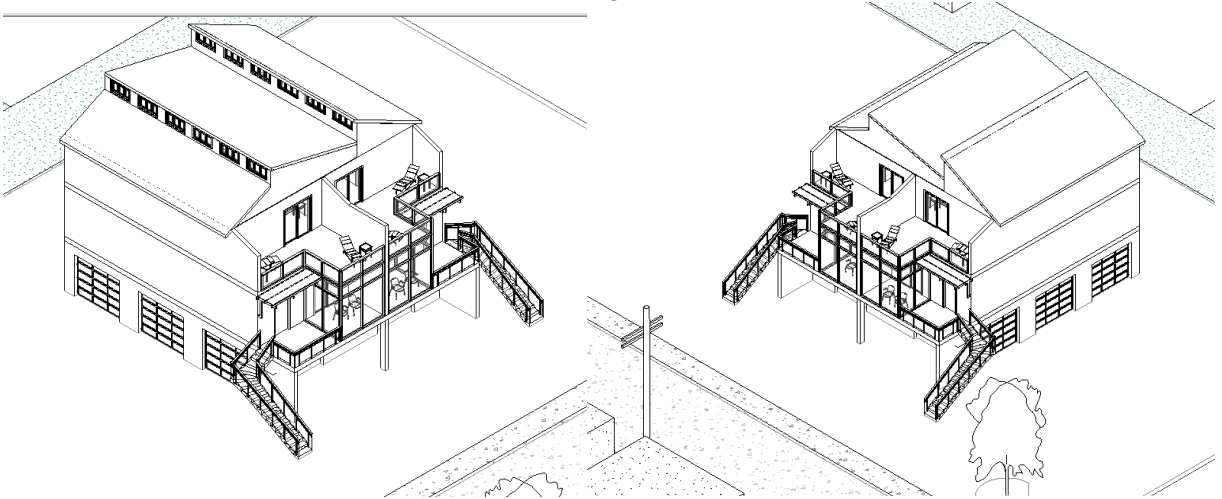
On the next lot over sits the brand new Point Lookout Library. As far as site concerns, the library has parking on the north side of the lot. There will be new hedges and a fence placed behind the parking spots. This will help create a better sense of privacy for the residents living next door. Across the street are many single family dwellings. Transportation will not be an issue for the new residences living on this site. Driveways and garages will be provided to each resident that will allow for at least two cars to fit between the driveway and garage. If I use a pocket neighborhood, there shall be parking provided for each resident living on this site. The new housing will not have a huge impact on traffic. There is a heavy amount of traffic around rush hour on the Loop Parkway and Lido Boulevard. The addition of these housing units on Parkside Road Drive will not create a noticeable difference in traffic for the residences of Point Lookout.

Pocket neighborhoods are clustered groups of housing or apartments clustered around a shared open space. This can be very beneficial in communities. In Point Lookout, most of the houses are single family dwellings with no common public shared space. A pocket neighborhood design can be very beneficial to a community because it creates a sense of safety in the shared space. Usually, neighbors in a pocket neighborhood know each other on a first name basis. Pocket neighborhoods are very beneficial to children since it gives them a safe space to play in outdoors.

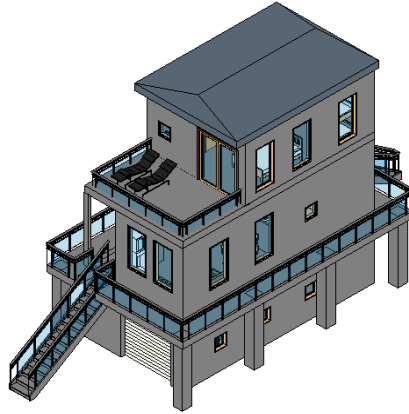
I think a pocket neighborhood would be very beneficial to this site in Point Lookout. It can help tie in the various elements of Point Lookout such as the houses across the street, the marina parking lot, and the library next door. The only downsides to a pocket neighborhood idea in Point Lookout is the privacy concerns, and the fact that it has not been attempted before in this community.



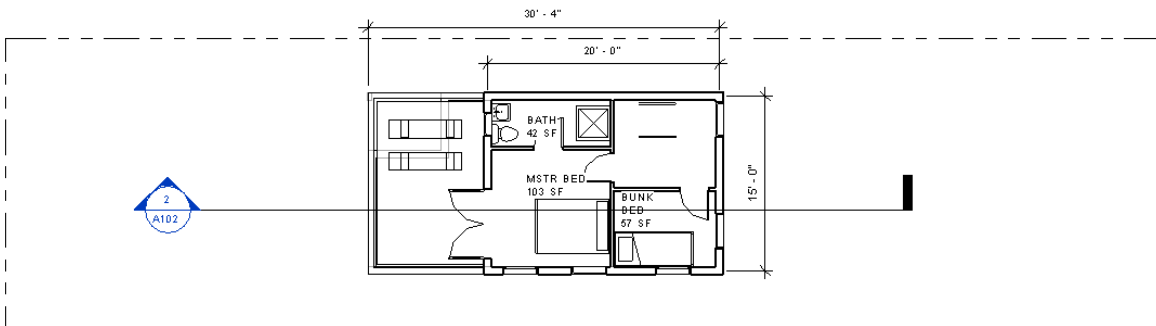
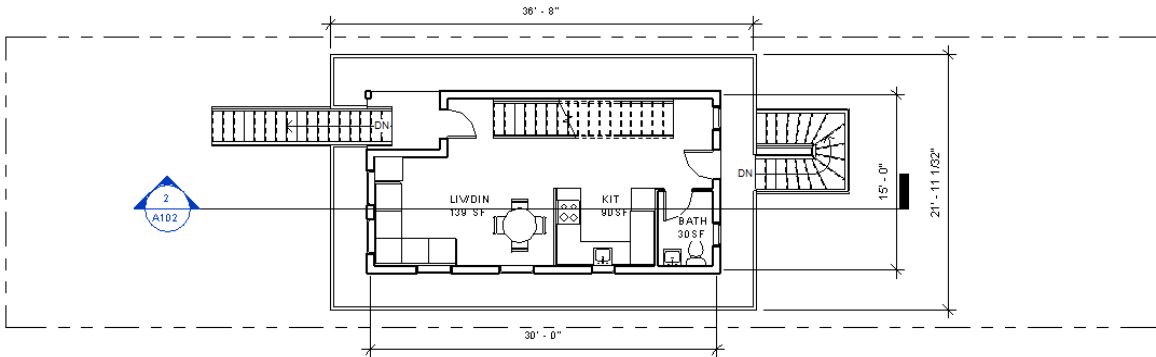
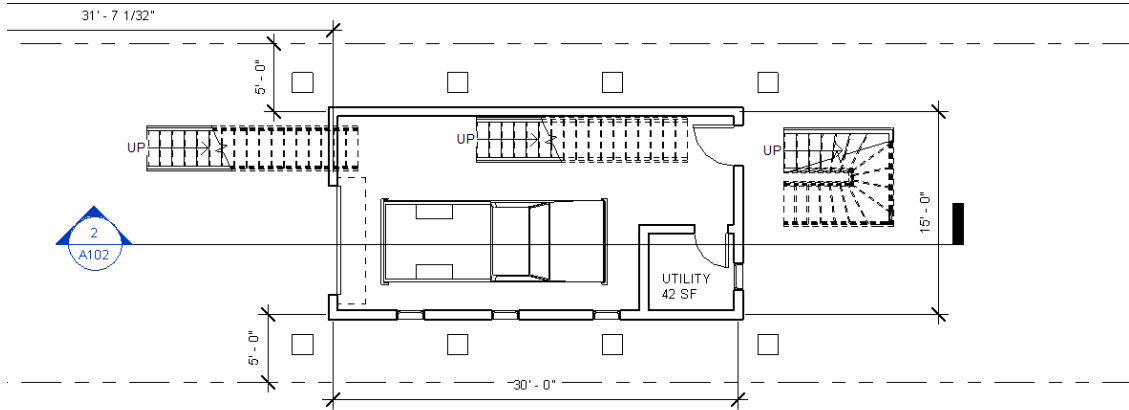
# Preliminary Designs







100' - 0"



# ToolBase Technologies

Building Technologies:

## 1. Wind-Resistant Openings

<http://www.toolbase.org/Building-Systems/Doors/wind-resistant-openings>

Wind-resistant openings are a must for my building. We are in an area where hurricanes, storm water, and high winds all affect the building. Windows, doors, and garage doors are all easy ways for water and wind to access the interior of the house during a storm. By switching to storm shutters, impact resistant doors, and reinforced garage doors, one can save themselves thousands of dollars in damages during a storm. For every inch of flood water in your house, an average of \$7,800 in damages can easily occur. It will be a smart idea to spend the extra money upfront on these upgrades rather than worrying about all of the water damage inside the house in case of an emergency.



## 2. Foundation Flood Vents

<http://www.toolbase.org/Building-Systems/Foundations/foundation-flood-vents>

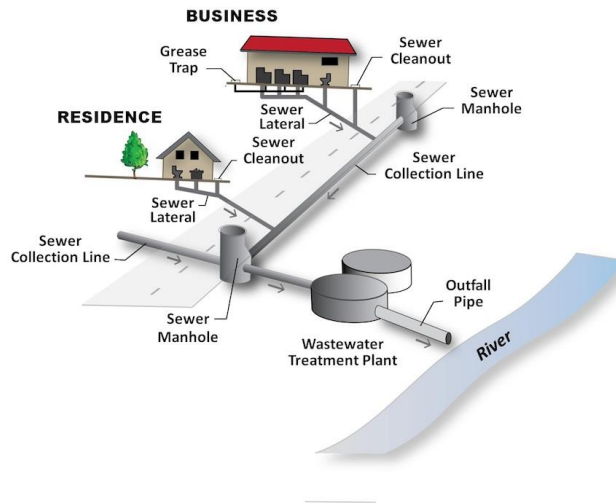
Foundation flood vents will be very detrimental to my design. I am designing break-away walls on the first level of the house. The break-away walls will also have flood vents that allow the flow of water in and out of the first floor. This will prevent the foundation walls from “blowing out” due to the storm water pressure. It is a better choice to give into the storm water rather than try to fight it by keeping it out. If water can flow in and out of the first floor, a minimal amount of damage will occur. Flood vents are very easy to install and practical in terms of cost. Flood vents can range anywhere from \$10-\$50 a piece.



### 3. Shared Wastewater Treatment Systems

<http://www.toolbase.org/Building-Systems/Sitework/shared-wastewater-treatment>

I will definitely be using a shared wastewater treatment system on this lot. It is an on-site wastewater treatment that is most useful for narrow lots. This will save the homeowner money, while positively impacting the environment. Sharing the wastewater treatment systems help save space while saving money.



### 4. Low Impact Development Practices for Storm Water Management

<http://www.toolbase.org/Building-Systems/Sitework/low-impact-development>

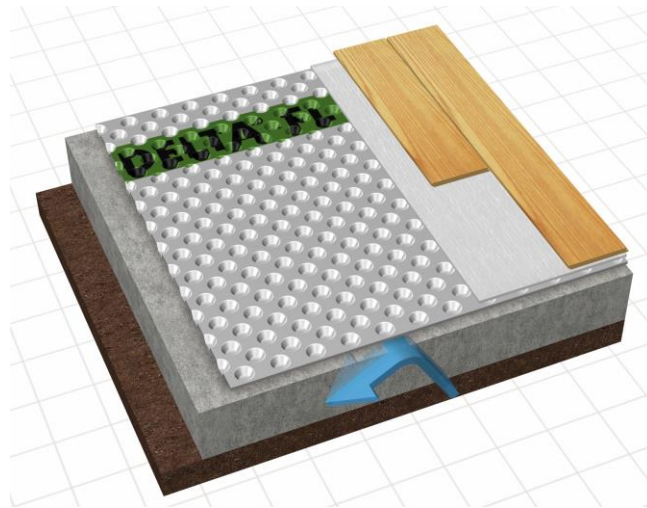
Permeable Pavement Surfaces will be used throughout this lot. It can be made from asphalt and concrete, or even gravel/pavers. This permeable surface will allow water to flow through, replenishing soil areas directly beneath. Storm water management is a big deal on this site. The sub-base underneath permeable pavements must be engineered to accommodate both filtration and quantity water storage. By using the permeable pavement surface, my clients will save money by reducing the amount of traditional drainage piping. This will also help the environment by limiting run-off pollution.



## 5. Water-Resistant Polyethylene Subfloor Systems

<http://www.toolbase.org/Building-Systems/Foundations/water-resistant-polyethylene-subfloor>

I will be using water resistant polyethylene subflooring systems. These are specially designed for putting over concrete floors. These flooring systems can alleviate moisture problems associated with placing wood sub-flooring in direct contact with a concrete slab. The raised pattern underneath the base creates airspace between the subfloor and concrete. This will be useful for my first floor. I am planning on having large overhead door openings on my first floor to convert the space into a public gathering area. I will be able to have a nice flooring to create a sense of comfort while maintaining a dry subfloor whilst the overhead doors are opened.

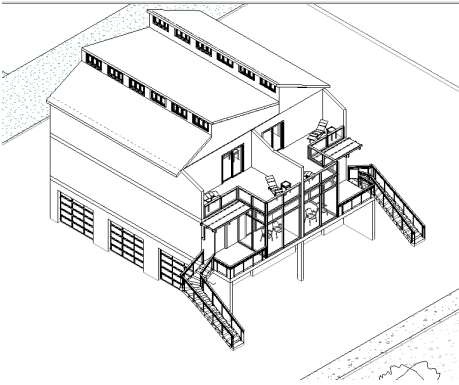


# Variances

## Variance Exhibit A-1

Code Section 63-Town of Hempstead BZO Article VII: B Residence Districts (B)

I would like to create a two-family dwelling on the lot. This will provide an additional housing unit for a family to live in. This two-family dwelling can be either sold, or rented out while providing a steady source of income due to rent. An example of two-family dwellings used successfully would be in the Village of Manorhaven in Port Washington, NY.



## Variance Exhibit A-2

Code Section 69-Town of Hempstead BZO Article VII: B Residence Districts (B)

I would like to remove the requirements listed in Section 69. I would like to remove the requirement of the building area not exceeding 27.5% of the lot area. If I decide on the pocket neighborhood idea, I might need to exceed the 27.5% lot coverage limit.

## Variance Exhibit A-3

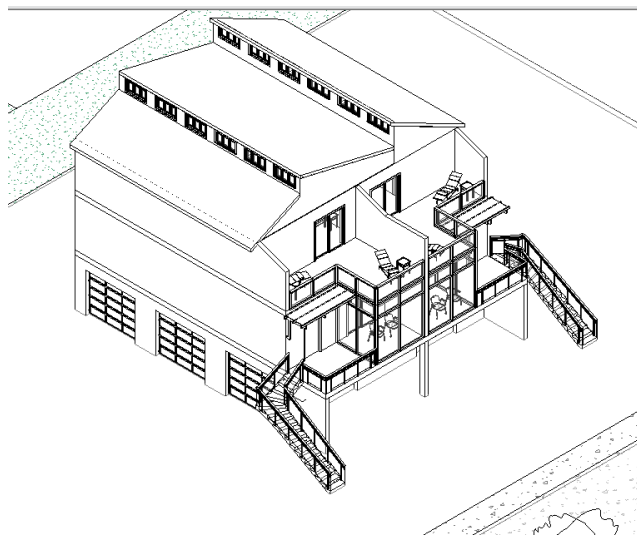
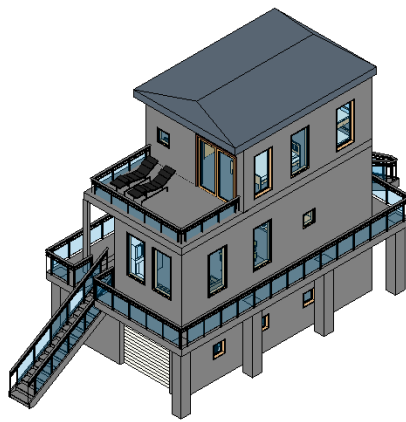
Code Section 70, 71, 72-Town of Hempstead BZO Article VII: B Residence Districts (B)

I would like to remove all of the setback requirements for this site. If I am doing a pocket neighborhood layout, it will hinder my intended design if I had to conform to setback requirements.

Variance Exhibit A-4

Code Section 76-Town of Hempstead BZO Article VII: B Residence Districts (B)

I would like to divide up and resize my lots. Lots 7-15 on the Town of Hempstead Tax map are all sized at 20'x100'. I would like to resize these lots to create an opportunity to fit single and multifamily dwellings on the property. I would also like to use the zero lot lining approach. Many of the houses in the Point Lookout community have turned to zero lot lining to help layout the site in the most effective manner.



PROPERTY  City  Town  Village of Hempstead County of Nassau  
 Address 75 Parkside Rd Dr, Point Lookout NY 11969 Tax Map No.: 61 002 7

**PART 2 - MINIMUM BUILDING INFORMATION** (Approximate)

Height in Stories 3 Gross Area (all floors) 1600 SF, 2100 SF Sq. Ft. Construction type Residential B  
 Occupancy:  One-family Dwelling  Two-family Dwelling  Townhouse  Accessory structure  
 Other \_\_\_\_\_

Construction type: If more than one is applicable, specify where each occurs in the building. Consult the building code or your building official for assistance.

- Residential Code of New York State -  Wood Frame  Other \_\_\_\_\_  
 Building Code of New York State [section 602] \_\_\_\_\_  
 Uniform Fire Prevention and Building Code [section 704] \_\_\_\_\_

Statistics: Number of stories above a basement: 3 (Do not count unfinished attic)  
 Total floor area of largest story (square feet) 1050 SF Approx.  
 Gross floor area of entire building (square feet) 1600 SF, 2100 SF Approx.

On the chart below, list the specific code sections which are the subject of your variance request. (Use separate sheet if necessary).

- Variance  Appeal  Appeal / variance

CODE SECTION(S)	TOPIC	RELIEF SOUGHT
63	Building Use	Two family dwelling usage
69	Building Area	Remove lot coverage restrictions
70, 71, 72	Setbacks	Remove setback requirements
76	Zoning	Remove zoning requirements, combine lots, zero lot lining

**Project type / status**

- New building  
 Addition to existing building  
 Repair  Other \_\_\_\_\_  
 Alteration level 1  In planning  
 Alteration level 2  No official allegation of non-compliance  
 Alteration level 3  Work in progress started \_\_\_/\_\_\_/\_\_\_  
 Change of Occupancy  Work completed

**PART 6 - BUILDING STATUS AND PROJECT INFORMATION**

**A. OCCUPANCY CLASSIFICATION (check all that apply for mixed use buildings)**

1. Residential Code of New York State [effective 1/1/2003] (See Section 101.2)

- One-family Dwelling       Two-family Dwelling       Townhouse

2. Building, Fire, Plumbing, Mechanical, Fuel Gas or Property Maintenance Code of New York State [effective 1/1/2003] (See Section 303 of the Building Code of New York State)

- Assembly       A-1    A-2    A-3    A-4    A-5  
Business       B  
Educational       E  
Factory       F-1 Moderate Hazard       F-2 Low Hazard  
Hazardous       H-1    H-2    H-3    H-4    H-5  
Institutional       I-1    I-2    I-3    I-4  
Mercantile       M  
Residential       R-1    R-2    R-3    R-4    One- or Two-Family Dwelling       Townhouse  
Storage       S-1 Moderate Hazard       S-2 Low Hazard  
Utility       U

Uniform Fire Prevention and Building Code - Title 9B [effective 1/1/1984 - 12/31/2002]

**Residential**

- A1 One-family Dwelling       A2 Two-family Dwelling  
 Multiple Dwelling       B1       B2       B3       B4

**Commercial**

- C1 Business       C2 Mercantile  
 C3 Industrial       C3.1 Low hazard       C3.2 Moderate Hazard       C3.3 High Hazard  
 C3 Storage       C4.1 Low Hazard       C4.2 Moderate Hazard       C4.3 High Hazard  
 C5 Assembly       C5.1    C5.2    C5.3    C5.4 (religious)    C5.5 Educational  
 C6 Miscellaneous (Describe) \_\_\_\_\_



**PART 7 - SUBJECT OF THE PETITION** (appeal and/or variance, both may be requested)

**APPEAL** (Check if appealing a code official's determination)

An appeal is a request for a Board of Review to review any order or determination, or the failure within a reasonable time to make any such order or determination by a Code Enforcement Official. Describe the order or determination and explain specifically why you believe the order or determination, or failure to act is incorrect, improper or otherwise unwarranted. This should include specific explanations relative to code sections cited.

Specific code and section(s) in question : \_\_\_\_\_

A. An order or determination, or the failure to make said order or determination in a timely fashion, or the failure to issue a permit or other document in a timely fashion is appealed. A copy of the order or determination is attached as Exhibit \_\_\_\_.

Briefly describe the order or determination (additional sheets may be used to do so) \_\_\_\_\_

\_\_\_\_\_  
\_\_\_\_\_  
\_\_\_\_\_  
\_\_\_\_\_  
\_\_\_\_\_

B. Attached as Exhibit \_\_\_\_ are the reasons why the order or determination should be reversed or modified or why other relief should be fashioned so as to do justice among the parties.

**VARIANCE** (Check if requesting a variance)

**REQUIRED ARGUMENTS FOR A VARIANCE**

The Board of Review may only grant a variance or modification on the basis of one or more of the following six reasons. To be eligible for a variance, you must document that at least one applies to the requested variance or modification.

Strict compliance with the sections described above would entail practical difficulties, unnecessary hardship, or would otherwise be unwarranted because such (check the statements that apply and provide appropriate documentation):

- 1. would create an excessive and unreasonable economic burden.  
Reasons are attached in Exhibit A-1
- 2. would not achieve its intended objective.  
Reasons are attached in Exhibit \_\_\_\_
- 3. would inhibit achievement of some other important public policy.  
Reasons are attached in Exhibit \_\_\_\_
- 4. would be physically or legally impracticable.  
Reasons are attached in Exhibit \_\_\_\_
- 5. would be unnecessary in light of alternatives which, without a loss in the level of safety, achieve the intended objective of the code.  
List alternatives and describe in Exhibit \_\_\_\_
- 6. would entail a change so slight as to produce a negligible additional benefit consonant with the purpose of the code.  
Reasons are attached in Exhibit \_\_\_\_

**PART 7 - SUBJECT OF THE PETITION (appeal and/or variance, both may be requested)**

**APPEAL** (Check if appealing a code official's determination)

An appeal is a request for a Board of Review to review any order or determination, or the failure within a reasonable time to make any such order or determination by a Code Enforcement Official. Describe the order or determination and explain specifically why you believe the order or determination, or failure to act is incorrect, improper or otherwise unwarranted. This should include specific explanations relative to code sections cited.

Specific code and section(s) in question : \_\_\_\_\_

A. An order or determination, or the failure to make said order or determination in a timely fashion, or the failure to issue a permit or other document in a timely fashion is appealed. A copy of the order or determination is attached as Exhibit \_\_\_\_.

Briefly describe the order or determination (additional sheets may be used to do so) \_\_\_\_\_  
\_\_\_\_\_  
\_\_\_\_\_  
\_\_\_\_\_  
\_\_\_\_\_

B. Attached as Exhibit \_\_\_\_ are the reasons why the order or determination should be reversed or modified or why other relief should be fashioned so as to do justice among the parties.

**VARIANCE** (Check if requesting a variance)

**REQUIRED ARGUMENTS FOR A VARIANCE**

The Board of Review may only grant a variance or modification on the basis of one or more of the following six reasons. To be eligible for a variance, you must document that at least one applies to the requested variance or modification.

Strict compliance with the sections described above would entail practical difficulties, unnecessary hardship, or would otherwise be unwarranted because such (check the statements that apply and provide appropriate documentation):

- 1. would create an excessive and unreasonable economic burden.  
Reasons are attached in Exhibit \_\_\_\_
- 2. would not achieve its intended objective.  
Reasons are attached in Exhibit A-2
- 3. would inhibit achievement of some other important public policy.  
Reasons are attached in Exhibit \_\_\_\_
- 4. would be physically or legally impracticable.  
Reasons are attached in Exhibit \_\_\_\_
- 5. would be unnecessary in light of alternatives which, without a loss in the level of safety, achieve the intended objective of the code.  
List alternatives and describe in Exhibit \_\_\_\_
- 6. would entail a change so slight as to produce a negligible additional benefit consonant with the purpose of the code.  
Reasons are attached in Exhibit \_\_\_\_

**PART 7 - SUBJECT OF THE PETITION (appeal and/or variance, both may be requested)**

**APPEAL** (Check if appealing a code official's determination)

An appeal is a request for a Board of Review to review any order or determination, or the failure within a reasonable time to make any such order or determination by a Code Enforcement Official. Describe the order or determination and explain specifically why you believe the order or determination, or failure to act is incorrect, improper or otherwise unwarranted. This should include specific explanations relative to code sections cited.

Specific code and section(s) in question : \_\_\_\_\_

A. An order or determination, or the failure to make said order or determination in a timely fashion, or the failure to issue a permit or other document in a timely fashion is appealed. A copy of the order or determination is attached as Exhibit \_\_\_\_.

Briefly describe the order or determination (additional sheets may be used to do so) \_\_\_\_\_  
\_\_\_\_\_  
\_\_\_\_\_  
\_\_\_\_\_  
\_\_\_\_\_

B. Attached as Exhibit \_\_\_\_ are the reasons why the order or determination should be reversed or modified or why other relief should be fashioned so as to do justice among the parties.

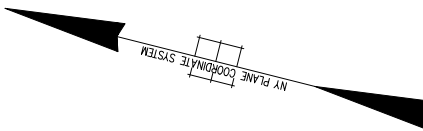
**VARIANCE** (Check if requesting a variance)

**REQUIRED ARGUMENTS FOR A VARIANCE**

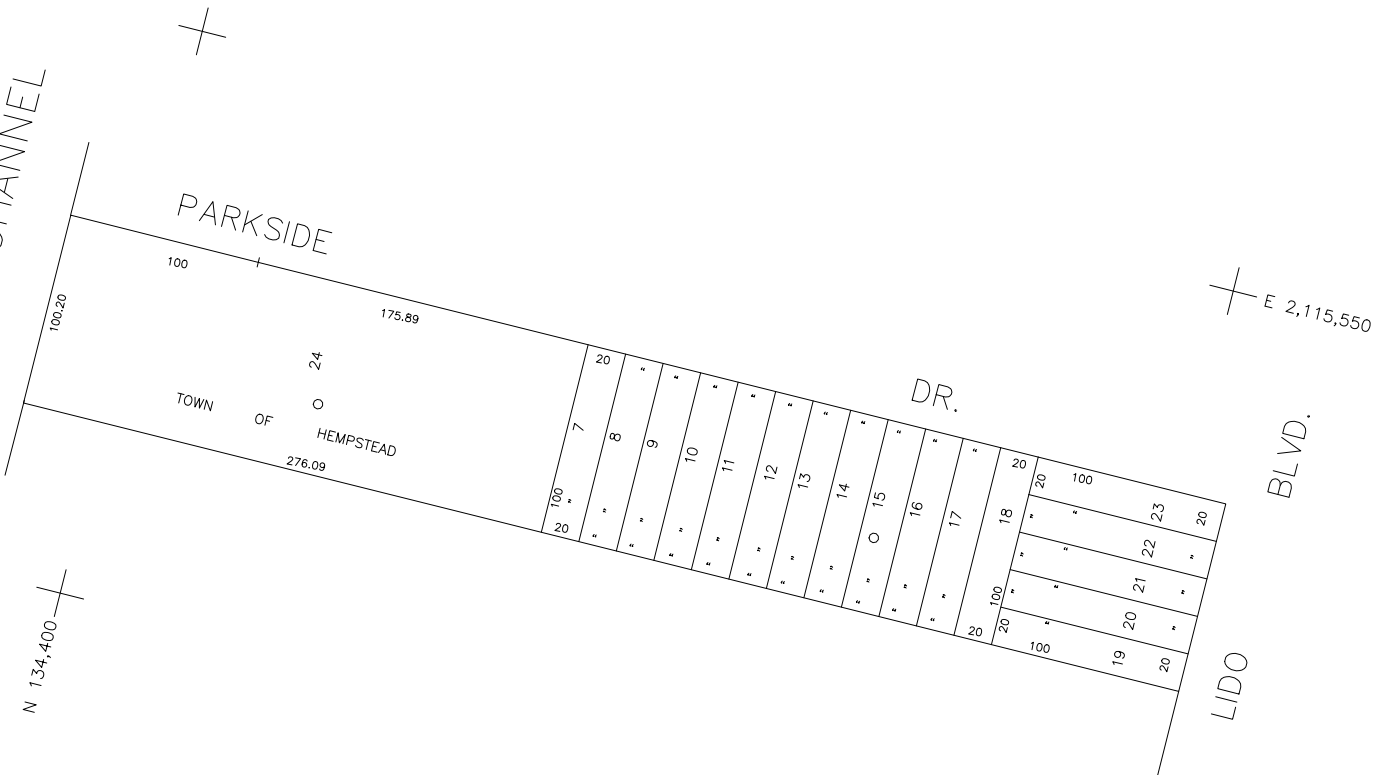
The Board of Review may only grant a variance or modification on the basis of one or more of the following six reasons. To be eligible for a variance, you must document that at least one applies to the requested variance or modification.

Strict compliance with the sections described above would entail practical difficulties, unnecessary hardship, or would otherwise be unwarranted because such (check the statements that apply and provide appropriate documentation):

- 1. would create an excessive and unreasonable economic burden.  
Reasons are attached in Exhibit \_\_\_\_
- 2. would not achieve its intended objective.  
Reasons are attached in Exhibit A-3
- 3. would inhibit achievement of some other important public policy.  
Reasons are attached in Exhibit \_\_\_\_
- 4. would be physically or legally impracticable.  
Reasons are attached in Exhibit \_\_\_\_
- 5. would be unnecessary in light of alternatives which, without a loss in the level of safety, achieve the intended objective of the code.  
List alternatives and describe in Exhibit \_\_\_\_
- 6. would entail a change so slight as to produce a negligible additional benefit consonant with the purpose of the code.  
Reasons are attached in Exhibit \_\_\_\_



REYNOLDS CHANNEL



LADY OF THE MIRACULOUS MEDAL  
LOT NOS: 7 THRU 23

LEGEND

COUNTY LINE	---
TOWN LINE	----
VILLAGE LINE	-----
SCHOOL DISTRICT LINE	-.-.-.-.-
PROPERTY LINE	=====
SPECIAL DISTRICT LINE	.....
BLOCK LIMIT	+
LOCATOR POINT	*
TAX MAP PARCEL NO.	246
CALCULATED ACREAGE	734(C)
DEED ACREAGE	174
SCALED DIMENSION	327(S)
DEED DIMENSION	185.89
REFERENCE MAPS	
MAP NO.	

<b>POLICE</b>	DIST	
County Police	3	
<b>WATER</b>		
Lido-Point Lookout	T	
<b>LIGHTING</b>		
Town of Hempstead	47	
<b>LIBRARY</b>		
Lido-Point Lookout	60	

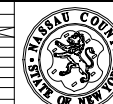
<b>FIRE PROTECTION</b>	DIST	
SANITARY		
<b>REFUSE &amp; GARBAGE</b>		
Lido Beach - Point Lookout	113	
<b>REFUSE DISPOSAL</b>		
Town of Hempstead	X	
<b>SEWAGE COLLECTION</b>		

SPECIAL DISTRICTS

<b>PUBLIC PARKING</b>	DIST	
<b>SEWER</b>		
<b>PARK</b>		
Point Lookout	100	
<b>IMPROVEMENT</b>		
Point Lookout See Wall	105	
<b>SIDEWALK</b>		

<b>DRAINAGE</b>	DIST	
<b>FIRE HYDRANT RENTAL</b>		
<b>GARBAGE</b>		
<b>ESCALATOR</b>		
<b>WATER POLLUTION CONTROL</b>		
Town, County, College, Police HQ	1	
Town Building Dept, Zoning & Appeal, Unincorporated Area	2	

<b>MUNICIPALITIES</b>	
TOWN OF: HEMPSTEAD	
NORTH HEMPSTEAD	
OSTER BAY	
CITY OF: GLEN COVE	
LONG BEACH	
VILLAGE OF:	
SCHOOL DISTRICT	
Long Beach	28



**Nassau County**  
**Department of Assessment**  
James E. Davis, Acting Assessor  
**Land & Tax Map**

Map Last Revised: October 22 2014

**SEC. 61**  
**BLK. 2**

SHEET 1 OF 1

CODE	SPECIAL	DISTRICT	WITHIN	CODE	SPECIAL	DISTRICT	WITHIN	CODE	SPECIAL	DISTRICT	WITHIN
330	1	100	105	113	2	3	47	69	T	X	

**PART 7 - SUBJECT OF THE PETITION (appeal and/or variance, both may be requested)**

**APPEAL** (Check if appealing a code official's determination)

An appeal is a request for a Board of Review to review any order or determination, or the failure within a reasonable time to make any such order or determination by a Code Enforcement Official. Describe the order or determination and explain specifically why you believe the order or determination, or failure to act is incorrect, improper or otherwise unwarranted. This should include specific explanations relative to code sections cited.

Specific code and section(s) in question : \_\_\_\_\_

A. An order or determination, or the failure to make said order or determination in a timely fashion, or the failure to issue a permit or other document in a timely fashion is appealed. A copy of the order or determination is attached as Exhibit \_\_\_\_.

Briefly describe the order or determination (additional sheets may be used to do so) \_\_\_\_\_  
\_\_\_\_\_  
\_\_\_\_\_  
\_\_\_\_\_  
\_\_\_\_\_

B. Attached as Exhibit \_\_\_\_ are the reasons why the order or determination should be reversed or modified or why other relief should be fashioned so as to do justice among the parties.

**VARIANCE** (Check if requesting a variance)

**REQUIRED ARGUMENTS FOR A VARIANCE**

The Board of Review may only grant a variance or modification on the basis of one or more of the following six reasons. To be eligible for a variance, you must document that at least one applies to the requested variance or modification.

Strict compliance with the sections described above would entail practical difficulties, unnecessary hardship, or would otherwise be unwarranted because such (check the statements that apply and provide appropriate documentation):

- 1. would create an excessive and unreasonable economic burden.  
Reasons are attached in Exhibit \_\_\_\_
- 2. would not achieve its intended objective.  
Reasons are attached in Exhibit A-4
- 3. would inhibit achievement of some other important public policy.  
Reasons are attached in Exhibit \_\_\_\_
- 4. would be physically or legally impracticable.  
Reasons are attached in Exhibit \_\_\_\_
- 5. would be unnecessary in light of alternatives which, without a loss in the level of safety, achieve the intended objective of the code.  
List alternatives and describe in Exhibit \_\_\_\_
- 6. would entail a change so slight as to produce a negligible additional benefit consonant with the purpose of the code.  
Reasons are attached in Exhibit \_\_\_\_

**PART 8 – DOCUMENTS** (For Board cases, provide at least 8 copies)

**Required Documents** (Supplemental to the petition form)

**Summary:** Describe the project, the present conditions, the proposed work, the details of the appeal and/or variance requests, and support of the grounds for relief you checked above.

**Site Plan:** Indicate size and location of all structures on the premises, if applicable.

**Building Plans:** Drawings in sufficient quantity and quality to clearly describe the requested variance or modification. Such drawings may include dimensioned floor plans, elevations, sections and construction details. Any drawings submitted should be identical to those submitted to the code enforcement official or be noted otherwise.

**Supplementary Documents** Submit such materials as photographs, charts, reports, detailed descriptions or any other information that can be used to more fully describe the nature of the request. List any such supplementary materials by Exhibit number.

EXHIBIT NUMBER	DESCRIPTION
A-1	Two family dwelling usagae
A-2	Remove lot coverage restrictions
A-3	Remove setback requirements
A-4	Remove zoning requirements, combine lots, zero lot lining

## *Design Specification Summary*

These design specifications are for the various appliances and fixtures needed in my design. I have found the specifications for many different items such as:

- Bathroom:
  - Toilet (both compact, and standard)
  - Sink (stand-alone sink, vanity sink)
  - Bath/Shower (ADA compliant, compact, standard)
  - Washer/Dryer (Combination units, stackable units)
- Kitchen:
  - Cooktop/Stove
  - Fridge/Freezer (Standard, compact space saving units)
  - Built-in Microwave Units
  - Kitchen Ventilation Systems
  - Dishwasher
- Other:
  - Stair Lift

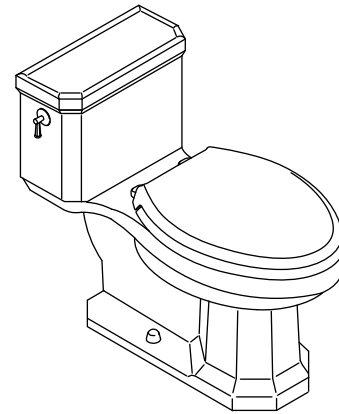
I have gathered technical specifications of various types of appliances/fixtures listed above in each different category.

### COMFORT HEIGHT® TOILET K-3940

#### Features

- Vitreous china, one-piece
- Elongated bowl
- Comfort Height®
- AquaPiston® flushing system
- Includes polished chrome trip lever, seat, and cover
- 12" (305 mm) rough-in
- 1.28 gpf (4.8 lpf)
- Concealed trapway
- 2-1/8" (54 mm) glazed trapway
- 10-1/2" (267 mm) x 7-1/2" (191 mm) water area
- 28" (711 mm) x 17-1/2" (445 mm) x 28-5/8" (727 mm)

ADA CSA B651 OBC



#### Codes/Standards Applicable

Specified model meets or exceeds the following:

- ADA
- ICC/ANSI A117.1
- CSA B651
- OBC
- ASME A112.19.2/CSA B45.1
- EPA WaterSense®

#### Colors/Finishes

- 0: White
- Other: Refer to Price Book for additional colors/finishes

#### Accessories

- 0: White
- CP: Polished Chrome
- Other: Refer to Price Book for additional colors/finishes

#### Specified Model

Model	Description	Trip Lever	Colors/Finishes	
K-3940	Comfort Height toilet	left-hand	<input type="checkbox"/> 0	<input type="checkbox"/> Other _____
<b>Recommended Accessories</b>				
K-7637	Angle supply with stop – 3/8" NPT		<input type="checkbox"/> CP	<input type="checkbox"/> Other _____
<b>Optional Accessories</b>				
K-4650	Lustra™ elongated open-front toilet seat – for ADA compliance		<input type="checkbox"/> 0	<input type="checkbox"/> Other _____
K-9131	Kathryn trip lever		<input type="checkbox"/> CP	<input type="checkbox"/> Other _____

#### Product Specification

The elongated one-piece toilet shall be made of vitreous china. Toilet shall be 28" (711 mm) in length, 17-1/2" (445 mm) in width, and 28-5/8" (727 mm) in height with 10-1/2" (267 mm) by 7-1/2" (191 mm) water area. Toilet shall be Comfort Height with 12" (305 mm) rough-in and concealed 2-1/8" (54 mm) glazed trapway. Toilet shall be 1.28 gpf (4.8 lpf) with AquaPiston flushing system. Toilet shall include polished chrome trip lever, seat and cover. Toilet shall be Kohler Model K-3940-\_\_\_\_\_.



## Technical Information

Fixture:	
Configuration	One-piece, elongated
Water per flush	1.28 gpf (4.8 lpf)
Passageway	2-1/8" (54 mm)
Water area	10-1/2" (267 mm) x 7-1/2" (191 mm)
Water depth from rim	5-5/8" (143 mm)
Seat post hole centers	5-1/2" (140 mm)

Included components:	
Closed front seat with cover	K-4733
Tank cover	1006066
Trip lever	K-9131
Tank accessory pack	52265
Bolt cap accessory pack	1013092

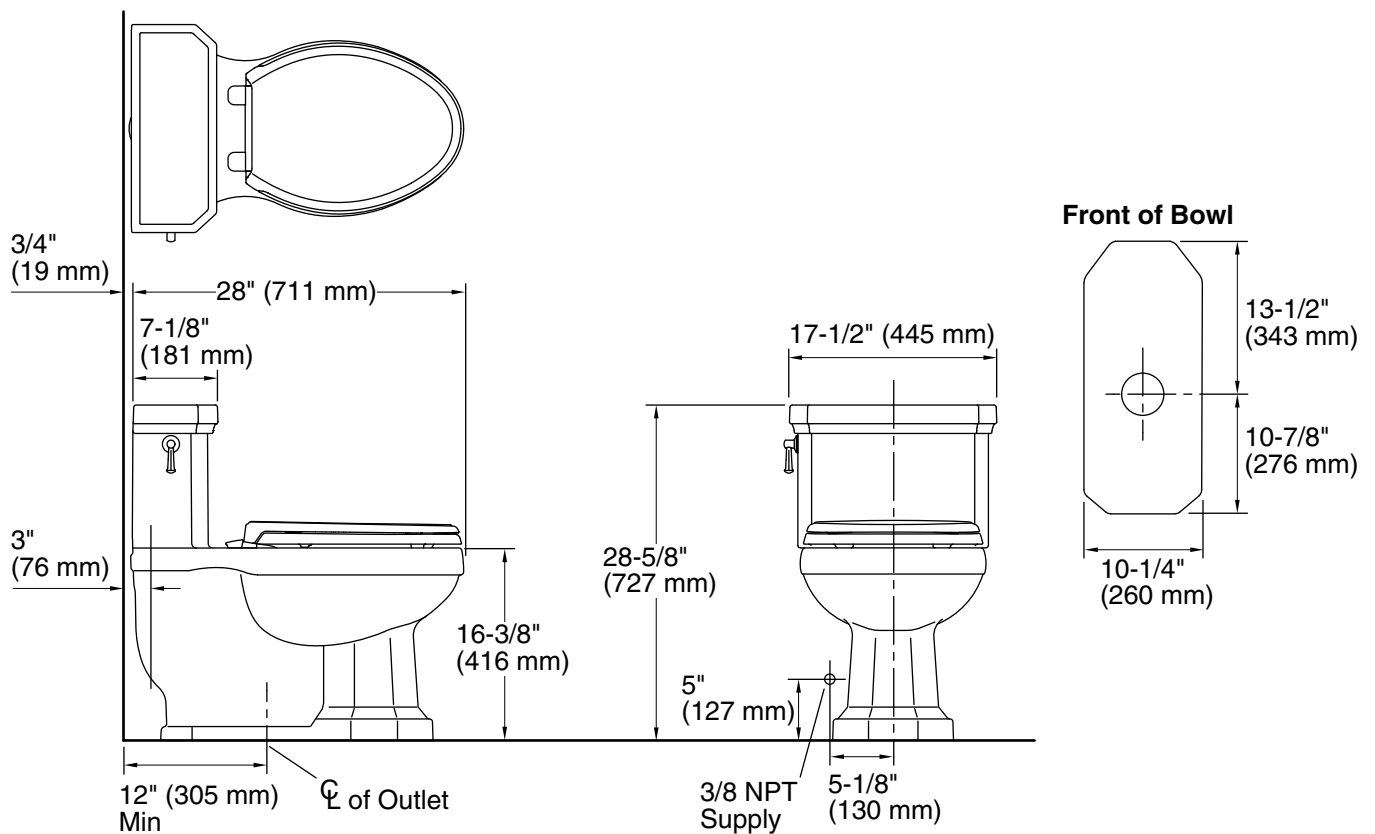
## Installation Notes

Install this product according to the installation guide.

Will comply with the Americans with Disabilities Act (**ADA**) when installed per the requirements of the 2010 ADA Standards for Accessible Design, Section 604 Water Closets, of the Act. The Model Plumbing Codes require the installation of elongated open-front toilet seats in public bathrooms.

Will comply with **CSA B651** when installed per Clause 4.3.6 of the standard.

Will comply with **OBC** Barrier Free requirements when installed per Clause 3.8.3.8 and 3.8.3.9.



## Product Diagram

### CADET® 3 FloWise® ROUND FRONT TOILET

- 2829.128**
  - Vitreous china
  - Meets definition for HET (High Efficiency Toilet)
  - High efficiency (4.8 Lpf/1.28 gpf)
  - Meets EPA WaterSense® criteria
  - EverClean® surface inhibits the growth of stain- and odor-causing bacteria, mold, and mildew on the surface
  - Featuring the **Cadet® 3 Flushing System**
  - Space saving round front siphon action jetted bowl
  - Fully-glazed 2-1/8" trapway
  - Generous 9" x 8" water surface area
  - Close-coupled tank with flat tank cover for superior storage
  - Oversized 3" flush valve with chemical resistant flapper
  - Chrome trip lever
  - Speed Connect® tank-to-bowl coupling system
  - Sanitary dam on bowl with four point tank stabilization
  - 2 color-matched bolt caps
  - 100% factory flush tested
  - 5 year warranty

- 3011.128** Round Front Bowl
- 3011.001** Round Front Universal Bowl
- 4021.128** Tank

#### Nominal Dimensions:

718 x 438 x 733mm (28-1/4" x 17-1/4" x 28-7/8")

Fixture only, seat and supply by others

#### Alternative Tank Configurations Available:

- 4021.513** Tank complete with Aquaguard Liner
- 4021.613** Tank complete with tank cover locking device
- 4021.713** Tank complete with Aquaguard Liner and tank cover locking device
- 4021.813** Tank complete with trip lever located on right side
- 4021.913** Tank complete with tank cover locking device and trip lever located on right side
- 4021.953** Tank complete with Aquaguard Liner, tank cover locking device and trip lever located on right side

#### Compliance Certifications -

##### Meets or Exceeds the Following Specifications:

- ASME A112.19.2-2008/CSA B45.1-08 for Vitreous China Fixtures
- US EPA WaterSense® Specification for HET's



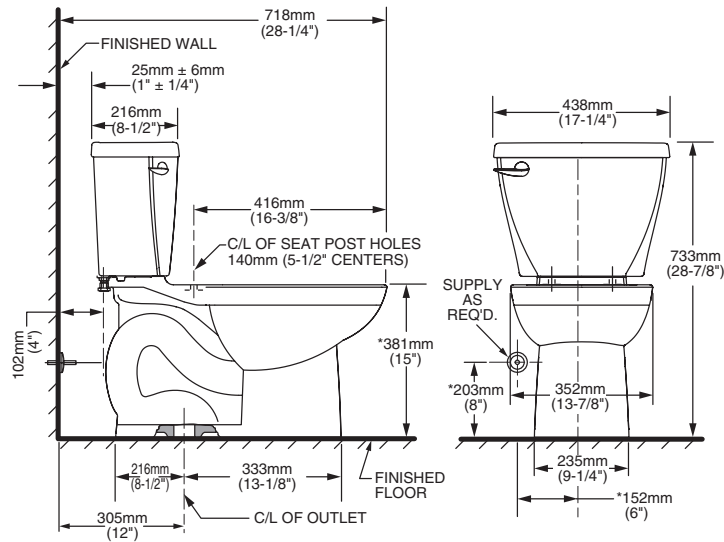
SEE REVERSE FOR ROUGHING-IN DIMENSIONS

#### To Be Specified:

- Color:  White  Bone  Linen  Black
- Seat: #5330.010 Round front Champion® Slow Close solid plastic seat and cover with easy lift off feature
- Seat: #5282.011 Round front EverClean® solid plastic seat and cover
- Seat: #5320.110 EverClean® Round Front Seat with Slow Close Snap-Off Hinges
- Supply with stop:



**CADET® 3**  
Flushing System



**NOTES:**

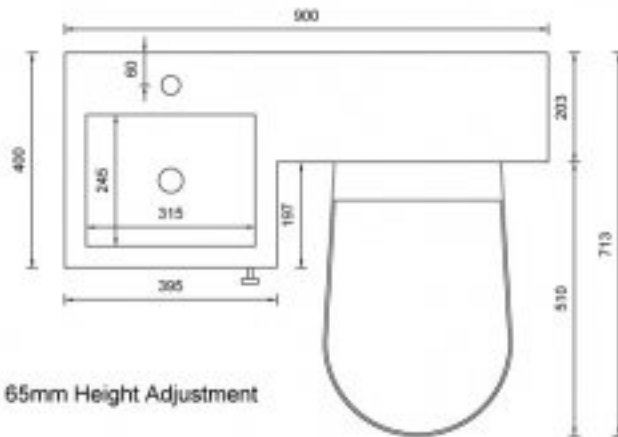
THIS TOILET IS DESIGNED TO ROUGH-IN AT A MINIMUM DIMENSION OF 305MM (12") FROM FINISHED WALL TO C/L OF OUTLET.

SUPPLY NOT INCLUDED WITH FIXTURE AND MUST BE ORDERED SEPARATELY.

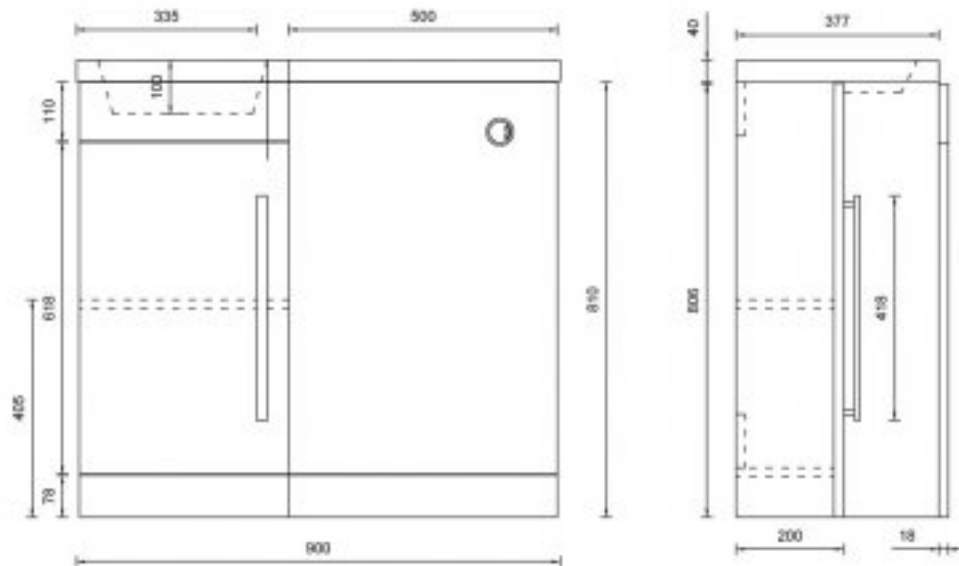
\* DIMENSION SHOWN FOR LOCATION OF SUPPLY IS SUGGESTED.

**IMPORTANT:** Dimensions of fixtures are nominal and may vary within the range of tolerances established by ANSI Standard A112.19.2.

These measurements are subject to change or cancellation. No responsibility is assumed for use of superseded or voided pages.



N.B. Shelf has a 65mm Height Adjustment



### Features

- Vitreous china
- Wall-mount
- With hanger
- With overflow
- Drilled for concealed arm carrier
- Optional soap dispenser hole on left (-L) or right (-R)
- 8" (203 mm) centers, 4" (102 mm), centers or single-hole
- 21-1/4" (540 mm) x 18-1/8" (460 mm)

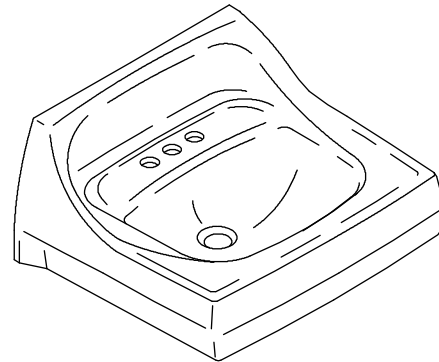
### WALL-MOUNT BATHROOM SINK K-2005

ALSO K-2006, K-2007

ADA

CSA B651

OBC



### Codes/Standards Applicable

Specified model meets or exceeds the following:

- ADA
- ICC/ANSI A117.1
- CSA B651
- OBC
- ASME A112.19.2/CSA B45.1

### Colors/Finishes

- 0: White
- Other: Refer to Price Book for additional colors/finishes

### Accessories

- CP: Polished Chrome
- Other: Refer to Price Book for additional colors/finishes

### Specified Model

Model	Description	Colors/Finishes	
K-2005	Bathroom sink with 4" (102 mm) centers less soap dispenser hole	<input type="checkbox"/> 0	<input type="checkbox"/> Other_____
K-2005-L	Bathroom sink with 4" (102 mm) centers with soap dispenser hole on left	<input type="checkbox"/> 0	<input type="checkbox"/> Other_____
K-2005-R	Bathroom sink with 4" (102 mm) centers with soap dispenser hole on right	<input type="checkbox"/> 0	<input type="checkbox"/> Other_____
K-2006	Bathroom sink with 8" (203 mm) centers less soap dispenser hole	<input type="checkbox"/> 0	<input type="checkbox"/> Other_____
K-2007	Bathroom sink with single-hole less soap dispenser hole	<input type="checkbox"/> 0	<input type="checkbox"/> Other_____
K-2007-L	Bathroom sink with single-hole with soap dispenser hole on left	<input type="checkbox"/> 0	<input type="checkbox"/> Other_____
K-2007-R	Bathroom sink with single-hole with soap dispenser hole on right	<input type="checkbox"/> 0	<input type="checkbox"/> Other_____

#### Recommended Accessories

K-8998	P-Trap	<input type="checkbox"/> CP	<input type="checkbox"/> Other_____
--------	--------	-----------------------------	-------------------------------------

### Product Specification

Bathroom sink shall be made of vitreous china. The sink shall be 21-1/4" (540 mm) in length and 18-1/8" (460 mm) in width. Sink shall be wall-mounted with hangers. Sink shall have 8" (203 mm) centers (K-2006), 4" (102 mm) centers (K-2005), or single-hole (K-2007). Sink shall have overflow. Sink shall be drilled for concealed arm carrier. Sink shall have optional soap dispenser hole left (-L) or right (-R). Sink shall be Kohler Model K-\_\_\_\_\_-\_\_\_\_\_-\_\_\_\_\_.

## Technical Information

Fixture*:	
Basin area	16" (406 mm) x 10" (254 mm)
Water depth	3-1/8" (79 mm)
Drain hole	Ø 1-3/4" (44 mm)
* Approximate measurements for comparison only.	

Holes	K-2005	K-2006	K-2007
Spout	Ø 1-1/4" (32 mm)	Ø 1-3/8" (35 mm)	Ø 1-3/8" (35 mm)
Faucet	Ø 1-1/4" (32 mm)	Ø 1-3/8" (35 mm)	
Soap dispenser	Ø 1-1/4" (32 mm)		Ø 1-1/4" (32 mm)

Included components:	
Hanger	64839

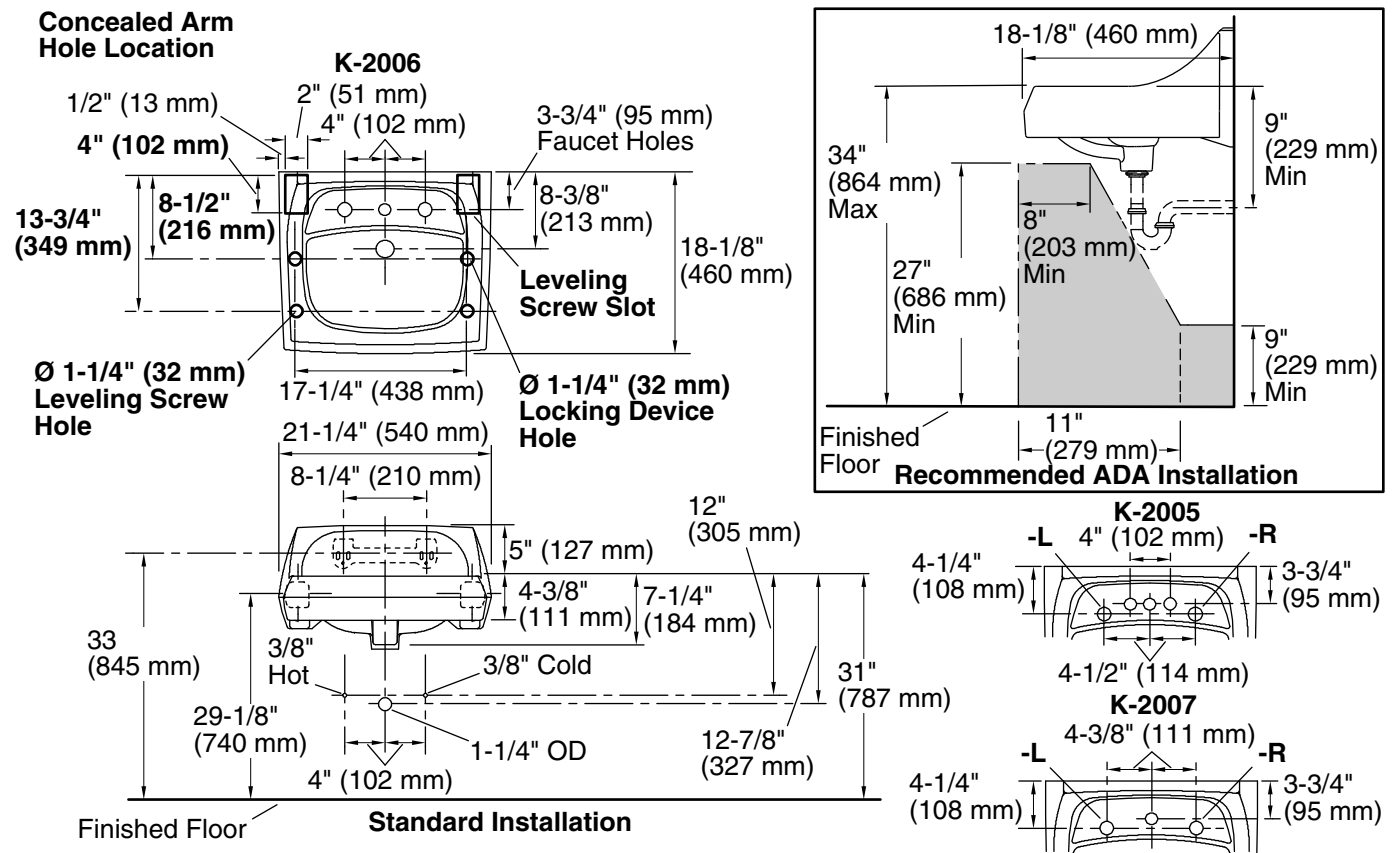
## Installation Notes

Install this product according to the installation guide.

Will comply with **ADA** when installed per Section 606 Lavatories of the Act.

Will comply with **CSA B651** when installed per Clause 4.3.3 of the standard.

Will comply with **OBC** when installed per Clause 3.8.3.11.



## Product Diagram



[HOME](#) > [BATHROOM](#) > [BATHROOM FURNITURE](#) > [BATHROOM VANITIES & WASHSTANDS](#) > [PORTSMOUTH 30 INCH VANITY](#)

## Portsmouth 30 Inch Vanity

[WISH IT](#) [OWN IT](#) [WHERE TO BUY](#)

MSRP: \$1,051

[READ REVIEWS](#)

MODEL NUMBERS

9210.030, 7820.800, 7820.400, 0615.000

[VIEW FIXTURE & COMPONENT DETAILS](#)

Old-World craftwork updated for today. This distinctive vanity belongs to our Portsmouth® Collection, a transitional style that goes well with traditional or casual homes. Constructed with Poplar hardwood solids and Birch veneers. Available in Dark Chocolate or White with matching Rattan door inserts. Accommodates a Portsmouth® Vanity Top.

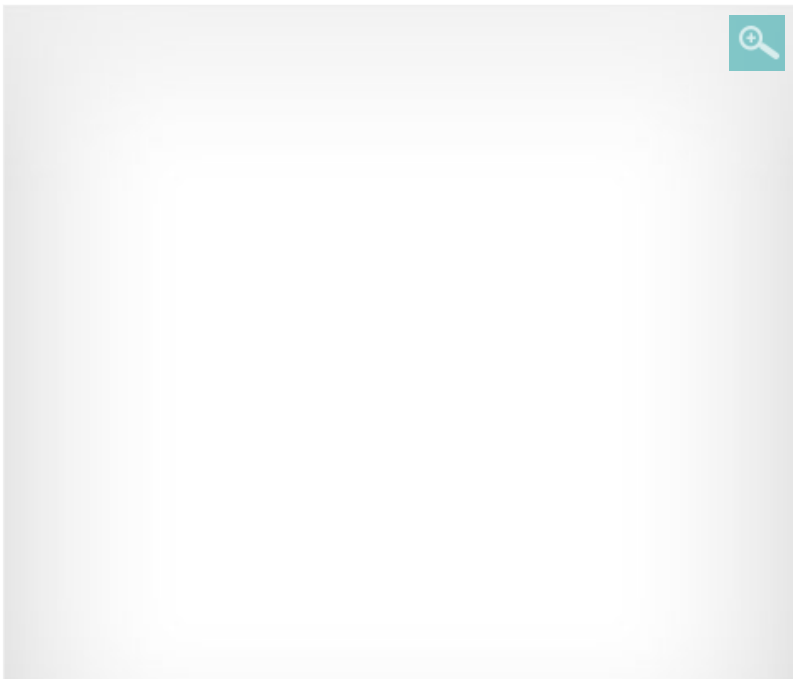
[DISCOVER THIS PRODUCT'S FEATURES AND READ FULL DESCRIPTION](#)

[CONTACT A SHOWROOM](#)



[LEARN MORE ABOUT THIS PRODUCT](#)  
[Full Product Description & Features](#)  
[Downloads & Related Links](#)  
[Fixtures & Components Details](#)  
[Product Reviews](#)  
[Ask An Expert](#)  
[Repair Parts](#)  
[Related Products](#)

[Images](#) [Videos ▶](#)



Available Colors & Finishes [\(Click to view product in color\)](#)

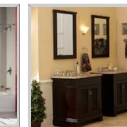
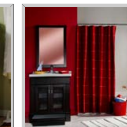


Dark Chocolate (322)



White (020)

Images





PORTSMOUTH 30 INCH VANITY SHOWN IN DARK CHOCOLATE(322)



 [BACK TO TOP](#)

## About This Product

Old-World craftwork updated for today. This distinctive vanity belongs to our Portsmouth® Collection, a transitional style that goes well with traditional or casual homes. Constructed with Poplar hardwood solids and Birch veneers. Available in Dark Chocolate or White with matching Rattan door inserts. Accommodates a Portsmouth® Vanity Top.

- Transitional Style
- Constructed of Poplar solids and birch veneers
- Matching Rattan door insert
- Slide-out step-up feature

Nominal Dimensions:  
30" x 21-1/2" (762 x 546mm)  
33-1/4" (845mm) height

### DOWNLOADS

[Spec Sheet](#)  
[Installation Instructions](#)

### DOWNLOADS

#### CAD FILES

[2D Symbols: 0615.000.DWG](#)  
[2D Symbols: 0615.000.DXF](#)  
[2D Symbols: 7820.400.DWG](#)  
[2D Symbols: 7820.400.DXF](#)  
[2D Symbols: 7820.800.DWG](#)  
[2D Symbols: 7820.800.DXF](#)  
[Cut-Out Template: 0615.000.DXF](#)

### TÉLÉCHARGEMENTS

[Instructions d'installation](#)

### DESCARGAS

[Instrucciones de instalación](#)

### RELATED LINKS

[New Bath and Kitchen Collections 2009](#)



### Features

- Vitreous china
- Wall-mount
- With overflow
- 8" (203 mm) centers (-8), 4" (102 mm) centers (-4), or single-hole (-1)
- 22" (559 mm) x 18" (457 mm) x 34" (864 mm)

### WALL-MOUNT BATHROOM SINK K-2035

ADA

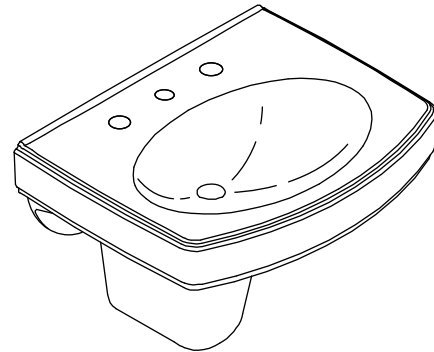
CSA B651

OBC

### Codes/Standards Applicable

Specified model meets or exceeds the following:

- ADA
- ICC/ANSI A117.1
- CSA B651
- OBC
- ASME A112.19.2/CSA B45.1



### Colors/Finishes

- 0: White
- Other: Refer to Price Book for additional colors/finishes

### Accessories

- CP: Polished Chrome
- Other: Refer to Price Book for additional colors/finishes

### Specified Model

Model	Description	Colors/Finishes	
K-2035-8	Bathroom sink with 8" (203 mm) centers	<input type="checkbox"/> 0	<input type="checkbox"/> Other_____
K-2035-4	Bathroom sink with 4" (102 mm) centers	<input type="checkbox"/> 0	<input type="checkbox"/> Other_____
K-2035-1	Bathroom sink with single hole	<input type="checkbox"/> 0	<input type="checkbox"/> Other_____
<b>Recommended Accessories</b>			
K-7605-P	Bathroom sink supplies, 3/8" (pair)	<input type="checkbox"/> CP	<input type="checkbox"/> Other_____
K-8998	P-Trap	<input type="checkbox"/> CP	<input type="checkbox"/> Other_____

### Product Specification

The wall-mount bathroom sink shall be made of vitreous china. Bathroom sink shall be 22" (559 mm) in length, 18" (457 mm) in width, and 34" (864 mm) in height. Bathroom sink shall have 8" (203 mm) centers (-8), 4" (102 mm) centers (-4), or single hole (-1). Bathroom sink shall have overflow. Bathroom sink shall be Kohler Model K-2035-\_\_\_\_\_-\_\_\_\_\_.

## Technical Information

Fixture*:	
Basin area	18" (457 mm) x 12" (305 mm)
Water depth	4" (102 mm)
Drain hole	Ø 1-3/4" (44 mm)
* Approximate measurements for comparison only.	

Holes	K-2035-8	K-2035-4	K-2035-1
Spout	Ø 1-3/8" (35 mm)	Ø 1-1/4" (32 mm)	Ø 1-3/8" (35 mm)
Faucet	Ø 1-3/8" (35 mm)	Ø 1-1/4" (32 mm)	

Included components:	
Bathroom sink, 8" (203 mm) centers	K-2028-8
Bathroom sink, 4" (102 mm) centers	K-2028-4
Bathroom sink, single hole	K-2028-1
Shroud	K-2057
Rubber pads	63069
Hanger	64839
Shroud accessory pack	80265

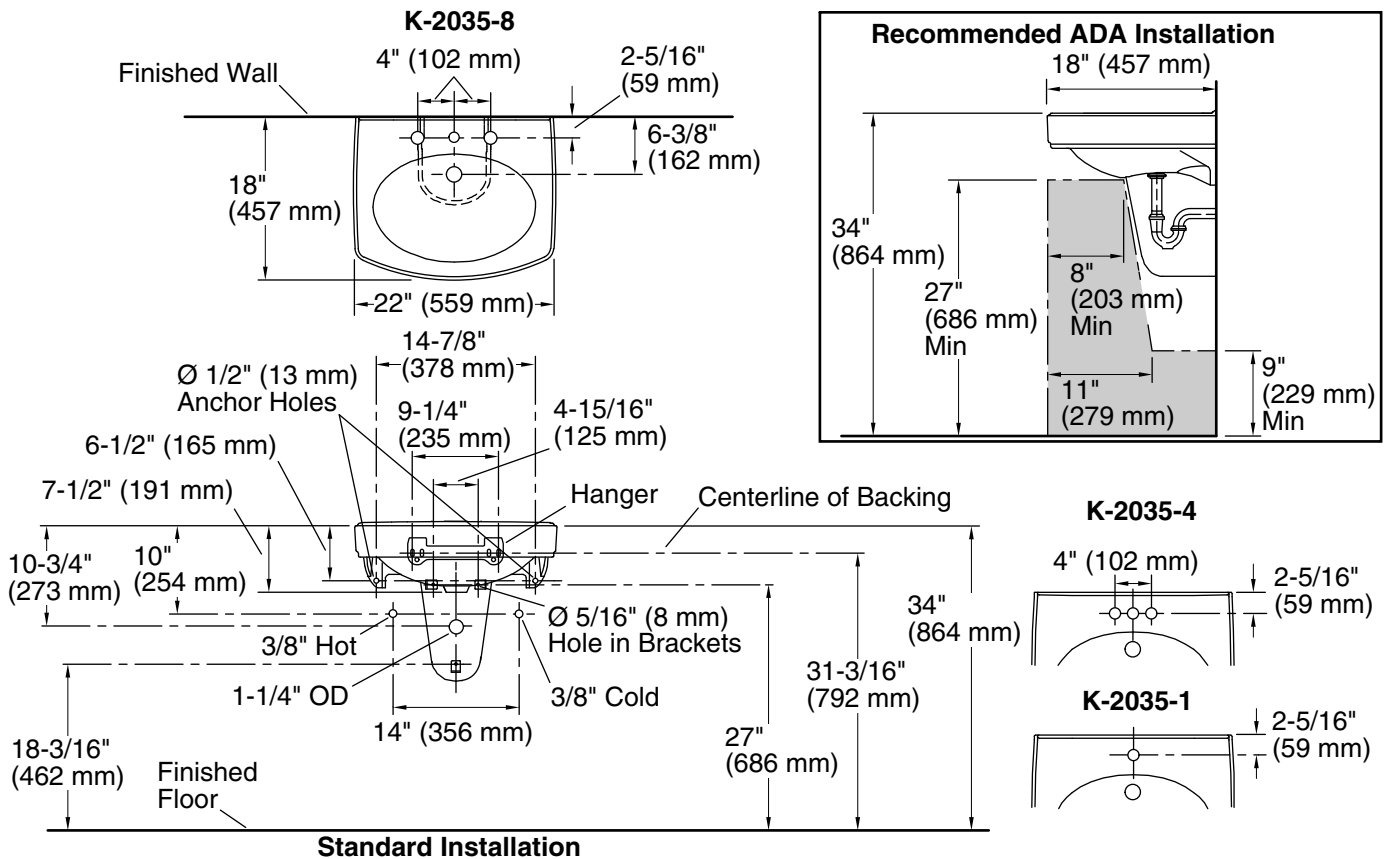
## Installation Notes

Install this product according to the installation guide.

Will comply with **ADA** when installed per Section 606 Lavatories of the 2010 ADA Standards for Accessible Design.

Will comply with **CSA B651** when installed per Clause 4.3.3 of the standard.

Will comply with **OBC** when installed per Clause 3.8.3.11.



## Product Diagram

**OVATION® BATHTUB  
with INTEGRAL APRON**

- 2647.112 OVATION TUB**  
Right Hand Outlet
- 2647.212 OVATION TUB**  
Left Hand Outlet

**Bathtub Features:**

- Space-saving feature - fits in standard bathtub alcove and wider interior provides a more spacious bathing area
- Acrylic with fiberglass reinforcement
- Integral curved apron design
- Recommended for use with Ovation bath walls (specify walls separately)
- Designed to be used with Ovation bath/shower door or curved shower rod
- Integral three-sided, tiling/water retention flange
- Generous back rest
- End drain outlet
- 17" floor to deck tub depth
- High gloss surface finish
- Limited Lifetime warranty

**Nominal Dimensions:**

60" x 30" x 17"  
(1524 x 762 x 432mm)

**3060.BW1 OVATION BATH WALLS**

**Wall Set Features:**

- 3-piece wall set with tiling flange
- High-gloss polystyrene
- Mounts directly to studs
- One wide shelf at bath height, 4 spacious shelves at showering height

**Nominal Dimensions:**

60" x 30" x 58"  
(1524 x 813 x 1473mm)

**Compliance Certifications -**

**Meets or Exceeds the Following Specifications:**

- ANSI Z124.1 for Plastic Bathtubs
  - cUPC
- SEE REVERSE FOR ROUGHING-IN DIMENSIONS  
AND PRODUCT SPECIFICATIONS



**To Be Specified - Required:**

- Color: (Arctic only)
- Bath Filler\*: (specify finish)
- Drain: 1640.305 (specify finish)

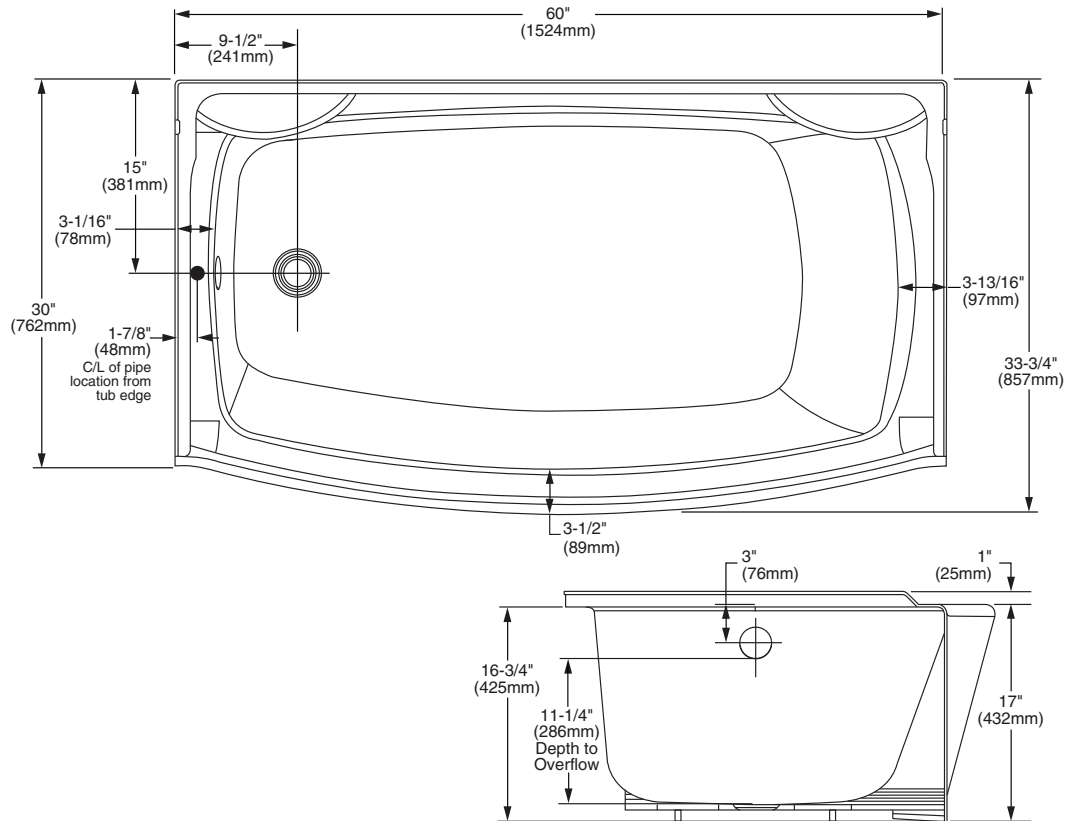
**To Be Specified - Optional:**

- Bath Walls: 3060.BW1
- Ovation Bath/Shower Door:  
AM00496400.295 Satin Nickel

For color/finish availability and other faucet choices, please see the Product Selector and Pricing Guide.



Ovation tub with Ovation wall set and Ovation curved bath door shown.



<b>GENERAL SPECIFICATIONS FOR 2647 TUB</b>	
INSTALLED SIZE _____	60 x 30 x 18 In. (1524 x 762 x 457mm)
WEIGHT _____	60 Lbs. (27 Kg)
WEIGHT w/WATER _____	435 Lbs. (197 Kg)
GAL. TO OVERFLOW _____	45 Gal. (170 L)
BATHING WELL AT SUMP _____	22.25 x 44.25 In. (565 x 1124mm)
BATHING WELL AT RIM _____	27.75 X 53.125 In. (705 x 1349mm)
WATER DEPTH TO OVERFLOW _____	11.25 In. (286mm)
FLOOR LOADING _____	35 Lbs./Sq.Ft. (170 Kgs/Sq.m)
(PROJECTED AREA)	
PTS. _____	27.5
CUBE (FT <sup>3</sup> ) _____	28.4

**NOTES:**

BATH TO BE INSTALLED ABOVE FLOOR LINE AS A RECESS INSTALLATION.

REFER TO INSTALLATION INSTRUCTIONS SUPPLIED WITH BATHTUB FOR ADDITIONAL INFORMATION.

LEFT HAND OUTLET SHOWN (2647.212), RIGHT HAND REVERSE DIMENSIONS (2647.112)

FITTINGS NOT INCLUDED AND MUST BE ORDERED SEPARATELY.

PROVIDE SUITABLE REINFORCEMENT FOR ALL SUPPORTS.

**IMPORTANT:** Dimensions of fixtures are nominal and may vary within the range of tolerances established by ANSI Standard Z124.1. These measurements are subject to change or cancellation. No responsibility is assumed for use of superseded or voided leaflet.

**52" x 30" WALK-IN BATH  
WITH OUTWARD OPENING DOOR:**

- 3052D.104SR** Bathtub Only with Right Hand Drain
- 3052D.104SL** Bathtub Only with Left Hand Drain

- Premium acrylic with fiberglass reinforcement
- Outward opening door
- Water tight door system
- Quick Drain® water removal system
- Built-in chair height seat for easy wheelchair transfer
- Textured tub floor
- Free standing metal support frame
- Grab bar

**OPTIONAL COMPONENTS:**

- ADA compliant Slide Bar with Handshower Holder
- Neck Rest
- Acrylic Tub Extender
- Tile Flange

**Nominal Dimensions:**

52" x 30" x 37"  
(1320 x 762 x 940mm)

**For use with:**

- Walk-In Bath Universal Wall Surround
- Ciencia solid surface wall set

**Compliance Certifications -  
Meets or Exceeds the Following Specifications:**

- ANSI Z124.3
- IAPMO - USPC
- ANSI Z124.1.2 for Plastic Bathtubs
- ASME A112.19.7 for Whirlpool Appliances
- ASME A112.19.15 for Walk-In Bathtubs
- CSA B-45.5 for Canadian Plumbing Fixtures



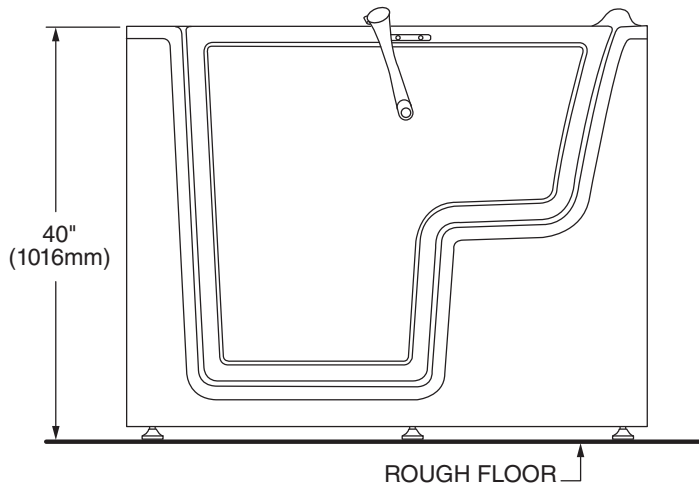
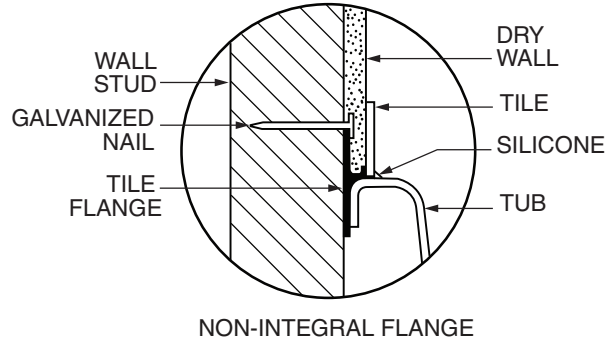
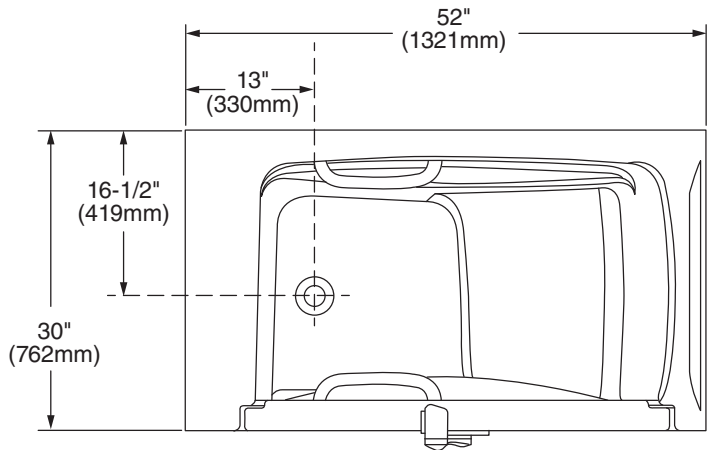
SEE REVERSE SIDE FOR ROUGHING-IN DIMENSIONS  
AND PRODUCT SPECIFICATIONS

**To Be Specified - Required:**

- Color:  White  Linen
- Bath Filler: (specify finish)

**To Be Specified - Optional:**

For color/finish availability and other faucet choices,  
please see the Product Selector and Pricing Guide.



GENERAL SPECIFICATIONS FOR 3052D WALK-IN BATH WITH OUTWARD OPENING DOOR	
INSTALLED SIZE	52 x 30 x 40 in. (1321 x 762 x 1016 mm)
WEIGHT	350 Lbs. (159 Kg.)
WEIGHT w/WATER	1016.4 Lbs. (461 Kg.)
GAL. TO OVERFLOW	80 Gal. (303 L)
MINIMUM OPERATING GAL.*	60 Gal. (227 L)
CLEAR FLOOR SPACE (FOOT WELL) <sup>†</sup>	18 x 19 in. (457 x 483 mm)
BATHING WELL AT RIM	40 x 24 in. (1016 x 610 mm)
WATER DEPTH TO OVERFLOW	31 in. (787 mm)
FLOOR LOADING (PROJECTED AREA)	94 Lbs./Sq.Ft. (458 Kgs./Sq.m)
PTS.	16.2
CUBE (FT <sup>3</sup> )	52.5

\*Measured one inch above escutcheon of highest jet.  
<sup>†</sup>Measured at centerline 4 in min above drain (or to clear corner radii).

**NOTES:**

BATH CAN BE INSTALLED EITHER ABOVE OR BELOW FLOOR LINE AS PIER, ISLAND, OR PENINSULA TYPE INSTALLATION. SUMP OF BATH IS SUPPORTED BY INTEGRAL FEET. NO ADDITIONAL SUPPORT REQUIRED. ENCLOSING MATERIAL BY OTHERS.

REFER TO INSTALLATION INSTRUCTIONS SUPPLIED FOR ADDITIONAL INFORMATION.

FITTINGS NOT INCLUDED AND MUST BE ORDERED SEPARATELY.

PROVIDE SUITABLE REINFORCEMENT FOR ALL SUPPORTS.

IF INSTALLING A DECK-MOUNTED FITTING, BEFORE DRILLING ANY HOLES: CHECK FOR INTERFERENCE WITH CIRCULATING SYSTEM PIPING, DRAIN OVERFLOW, AND APRON INSTALLATION. MOUNTING HOLES DRILLED BY INSTALLER.

**IMPORTANT:** Dimensions of fixtures are nominal and may vary within the range of tolerances established by ANSI Standard Z124.1. These measurements are subject to change or cancellation. No responsibility is assumed for use of superseded or voided pages.

# Walk-In Bath

3260 SERIES 32" X 60"  
SOAKING TUB, AIR SPA & WHIRLPOOL

*American Standard*

Style That Works Better

[americanstandard.com](http://americanstandard.com)

## SAFETY. COMFORT. BEAUTY. VALUE.

There is no sacrifice with American Standard Walk-In Baths. Deep and spacious, all of our walk-in baths are thoughtfully designed to provide accessible and comfortable bathing experiences. Our Walk-In Baths offer popular features and beneficial options at a competitive price point well suited for all of your project needs. Choose a traditional soaking tub, or add the therapeutic benefits of a whirlpool, air spa or combination massage. Either way, you can trust American Standard to provide innovative features along with the quality, reliability, and service you have come to expect with our 130 year heritage.



### MODEL 3260.210

- Acrylic walk-in bath
- 32" wide x 60" long x 37½"
- Operating capacity: 80 gallons
- Color: white or linen
- Left hand or right hand door and drain



#### Quick Drain®

Our exclusive Quick Drain® technology empties tub in less than two minutes and requires no additional plumbing. Spend less time waiting with this patent pending innovation.

### BUILT-IN FEATURES

- Free standing metal support frame
- Large walk-in tub door
- Built-in chair-height seat
- Color matched drain assembly and grab bar
- Textured tub floor
- Pump and fixture access panels
- Lifetime warranty on door seal; 15 year on the tub shell; 10 years on components

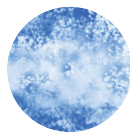
### OPTIONS

- Whirlpool heater
- Chromatherapy
- Neck rest
- Universal Wall Surround
- 24" chrome grab bar
- Quick Drain®



#### Whirlpool

Enjoy therapeutic benefits of deep massage



#### Air Spa

A gentle effervescent experience



#### Combination

Combines both Air Spa and Whirlpool systems for a full in-home spa experience.

# 32" X 60" WALK-IN BATH, SOAKING TUB, AIR SPA & WHIRLPOOL

## 3260.210.SXX Soaking Tub

- Acrylic with fiberglass reinforcement
- Free standing metal support frame with five adjustable leveling feet
- Patented door system technology
- Contoured, 17" high, built-in seat
- Built-in grab bar and textured tub floor
- Faucet / accessory deck areas
- Color matched cable driven drain assembly

## 3260.210.WXX Whirlpool system

- 1 HP variable flow pump system
- 12 adjustable massage jets
- Automatic Tub Cleaning System - Ozone

## 3260.210.AXX Air Spa system

- 1 HP variable flow heater blower
- Multiple seat and floor air injectors
- Automatic purge cycle

## 3260.210.CXX Combo system

- Combines Whirlpool and Air Spa System

### Nominal Dimensions:

32" x 60" x 37-1/2"  
(813 x 1524 x 953mm)

### Compliance Certifications -

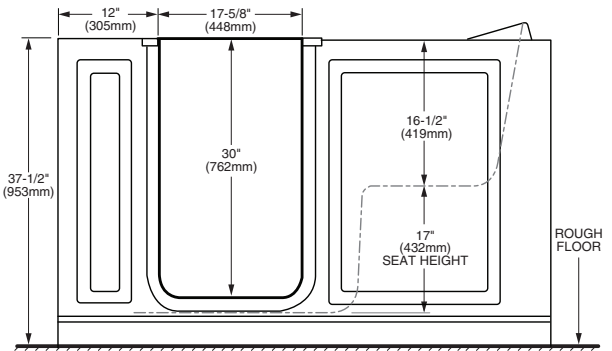
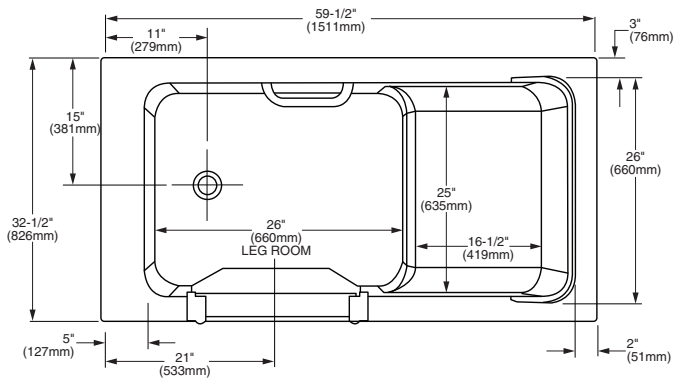
#### Meets or Exceeds the Following Specifications:

- ETL – INTERTEK SEMKO
- IAPMO - USPC
- ANSI Z 124.1.2 –for Plastic Bathtubs
- ASME A112.19.7 – Whirlpool Appliances
- ASME A112.19.15 –for Walk-in Bathtubs
- CSA B-45.5 – Canadian Plumbing Fixtures

#### To Be Specified - Required:

- Drain Configuration: Left (L) Or Right (R)
- Color: White (W) Or Linen (L)
- Faucet
- Whirlpool Heater\*: 9ILH (Whirlpool System Only)
- Chromatherapy: 9CTP
- Neck Rest: 9NR

\* **NOTE:** The whirlpool heater is designed to maintain water temperature during operation. It will not heat cold water to desired bathing temperature.



GENERAL SPECIFICATIONS FOR 3260.210.XXX WALK-IN BATHING TUB	
INSTALLED SIZE	60 x 32 x 37-1/2 In. (1524 x 813 x 953mm)
WEIGHT	210 Lbs. (95 Kg.)
WEIGHT w/WATER	877 Lbs. (398 Kg.)
OPERATING GALLON	80 Gal. (302 L.)
FLOOR LOADING (PROJECTED AREA)	65 Lbs./Sq. Ft. (321.25 Kgs/Sq. m.)
CUBE (FT <sup>3</sup> )	41.7

#### NOTES:

TUB IS SUPPORTED BY THE FRAME AND FIVE INTEGRATED ADJUSTABLE FEET, NO ADDITIONAL SUPPORT IS REQUIRED.

REFER TO INSTALLATION INSTRUCTIONS SUPPLIED WITH TUB FOR ADDITIONAL INFORMATION.

FAUCET NOT INCLUDED AND MUST BE ORDERED SEPARATELY.

PROVIDE SUITABLE REINFORCEMENT TO SUB FLOOR FOR ALL SUPPORTS.

**IMPORTANT:** Dimensions of fixtures are nominal, may vary and are subject to change or cancellation. No responsibility is assumed for use of superseded or voided leaflet.



# Ventless Washer Dryer Combo

Uses 20% Less Water

The Ventless Washer Dryer Combo gives you the convenience of washing and drying a 15 lb (6.8 kg) load of laundry in one machine with no need to cut a vent hole in your RV.

- Compact washer dryer combo
- Continuous wash & dry cycle
- 15 lb (6.8 kg) capacity
- Uses 20% less water than competitors
- Door stays 10% cooler during drying cycle
- Easy drainage plug access
- Ventless condensing drying system
- 8 wash cycles with additional rinse & spin cycles
- Programmable frequent user settings
- Pause/stop feature
- Cycle-complete alarm
- Load-balancing system
- Ergonomic door handle
- Self-cleaning wash cycle
- Self-cleaning pump
- Installation kit included—a \$19.99 value!



WDCVLW



LCD cycle timer



Programmable settings



3 compartments for liquid pre-detergent, detergent & fabric softener

## Key Benefits

- Space-saving combo unit
- Enjoy more time camping
- No more forgetting to transfer clothes
- Water drains to sink, shower, or gray water tank
- Ventless system means no cutting through RV sidewall
- Cooler door temperature protects children and pets
- Easy to operate with many cycle options
- Also available: Dometic RV Oxy Laundry Detergent



D1219001

See specifications on back

## Specifications for Ventless Washer Dryer Combo

<b>Item Number</b>	WDCVLW
<b>Voltage / Frequency / Current</b>	120V / 60Hz / 12A
<b>Color</b>	White
<b>Dimensions (H x W x D)</b>	33-7/16 x 23-7/16 x 22-1/4 in 85 x 59.5 x 56.5 cm
<b>Drying System</b>	Ventless (condensing)
<b>Weight</b>	165 lbs / 75 kg
<b>Max. Spin Speed</b>	1200 rpm
<b>Spin Speeds (rpm)</b>	0, 400, 600, 800, 1000, 1200
<b>Number of Wash Cycles</b>	8 (+2 with Rinse and Rinse + Spin)
<b>Number of Dry Cycles</b>	2 (+3 with wash cycle)
<b>Max. Wash/Dry Capacity</b>	15.43 lbs / 7 kg
<b>Wash Water Use</b>	5.5 to 13 gal/hr / 20.8 to 49.2 liter/hr
<b>Dry Water Use</b>	0 gal/hr / 0 liter/hr
<b>Detergent Types</b>	HE (high efficiency) liquid / pod
<b>Number of Water Temp.</b>	3
<b>Controls</b>	Electronic/LCD/LED
<b>Child Safety Door Lock</b>	Yes
<b>Energy Efficiency Class</b>	CEE Tier 111
<b>Certifications</b>	ETL (US & CAN)
<b>End of Cycle Alarm</b>	Yes
<b>Power Cord Length</b>	5 ft / 1.5 m
<b>Adjustable Feet</b>	Yes
<b>Drum Material</b>	Stainless steel
<b>Add Garment Feature</b>	Yes
<b>Custom Program</b>	Yes
<b>Noise Level</b>	71 dB



Go

- cooking
- refrigerators
- washers & dryers
- dishwashers
- outdoor
- sinks & faucets
- air conditioners
- vacuums
- packages
- brands
- on sale!

# SAVINGS CENTER

UP TO **40% OFF**

Shop Now

[Home](#) > [Laundry](#) > [Washers](#) > [Front Load \(Tumble\)](#) > WFW94HEAC

Quick Specs

**Appearance**

Type : Front Load  
Color : Chrome Shadow  
Location of Controls : Front  
Stackable : Yes

**Dimensions**

Width : 27"  
Depth : 31 1/2"  
Height : 38"  
Capacity : 4.3 Cu. Ft.

**Features**

Control Type : Touchpad  
Wash Cycles : 12  
Steam Cycle : Yes  
Temperature Settings : 5  
Bleach Dispenser : Yes  
Fabric Softener Dispenser : Yes  
Stainless Steel Drum : Yes  
Leveling Legs : Yes  
Maximum Spin Speed (RPM) : 1400  
Self Cleaning Lint Filter : No  
Soak Setting : Yes  
Water Heater : Yes  
Usage : Residential

**Technical Details**

Energy Star Rated : Yes  
CEE Rating : Tier III  
ADA Compliant : Yes  
Amps : 15  
Voltage : 120 Volts

**Are You a Builder?**

Contact us for volume discounts and special pricing

Get Quote



Roll over image to zoom in



Image disclaimer

Like Sign Up to see what your friends like.



Free Shipping

**Whirlpool Duet WFW94HEAC**

4.3 cu. ft. Front Load Washer with 12 Wash Cycles, 5 Temperature Settings, Precision Dispense and Energy Star: Chrome Shadow

To order or learn more please call us at 800-570-3355

Price Match Policy

Print

Share this item:



Qty:

Add to Cart

Discontinued

Color Options

Selected Chrome Shadow

\$1,164.60

Companion Products, Options, and Accessories

Whirlpool WFW94HEAC



This item

Additional Options

Add

Drain Hose Extension Kit (DRNEXT4) [preview](#)

+ \$24.00

Add

Stacking Kit (W10298318RP) [preview](#)

+ \$19.00

Add

15.5" Laundry Pedestal with Storage Drawer and Chrome Handle: Chrome Shadow (XHPC155YC) [preview](#)

+ \$279.00

- Description
- Energy Info
- Specifications
- Features
- Info & Guides
- Reviews

## Description

**Delivering Style and Innovation to the Homes of Today... and Tomorrow!**

Enhance every home you build with stylish, innovative appliances that home buyers demand. Home buyers expect appliances that meet the needs of their everyday lives, are easy to use and reflect the style of their individual tastes. But, to provide appliances you will truly appreciate and will use for years to come, requires a higher level of commitment. Their commitment to quality, craftsmanship and style challenges them to design products that lead the industry in innovation and design.

## Energy Info

This washer uses **125 kWh/yr** and has an estimated yearly operating cost of **\$13.86**.

The estimated yearly operating cost is based on doing 8 laundry loads a week and the 2011 national average electricity cost of \$.1109 per kWh. Your operating cost will depend on your utility rates and usage.

## Specifications

<b>Capacity</b>	<b>Capacity:</b> 4.3 Cu. Ft.
<b>Construction</b>	<b>Drum Material:</b> Stainless Steel Wash basket
	<b>Door Construction:</b> Door Window
	<b>Hoses Included:</b> Not Included
<b>Performance</b>	<b>Dispenser Type:</b> 3-Tray Dispenser Drawer
	<b>Temperature Control System:</b> Care Control Temperature Management
	<b>Number of Temperatures:</b> 5
	<b>Spin Speed:</b> 1400
	<b>Number of Chambers:</b> 3
	<b>Detergent Dispenser:</b> Yes
	<b>Tier Level:</b> CEE Tier III Level
	<b>Number of Cycles:</b> 12
	<b>Whitest Whites Cycle:</b> Whites
	<b>Heavy Duty Wash:</b> Yes
	<b>Normal Wash:</b> Yes
	<b>Quick Wash:</b> Yes
	<b>Delicate Wash:</b> Delicates
	<b>Extra Rinse:</b> Yes
	<b>Estimated Time Remaining:</b> Yes
	<b>Add A Garment:</b> Yes
	<b>Control Lockout:</b> Yes
<b>Dimensions</b>	<b>Width:</b> 27"
	<b>Depth:</b> 31 1/2"
	<b>Height:</b> 38"
	<b>Shipping Weight:</b> 250 lbs.

## Features

### 12-Hour FanFresh Option with Dynamic Venting Technology

- When selected, a built-in fan automatically activates after the wash cycle is over, tumbling clothes for up to 12 hours so you can wash and dry a small load right in the washer.

### Quiet Spin 360 Technology

- Now you can place your laundry pair virtually anywhere and be assured of balanced performance and vibration control. The washer takes into account where it's installed and adapts to improve its balance over time.

### PreSoak Option

### Tap Touch Controls

- The Tap Touch interface featured on select models brings high-tech style to your laundry room. It allows direct access to washer functions, and its sleek appearance enhances the appeal of any space.

### Smart Temperature Control Helps Reduce Shrinking and Color Bleeding

- The Care Control temperature management system enabled by 6th Sense technology helps protect your clothes by controlling water amount and temperature.

### Precision Dispense

- Penetrates stains and pretreats soils with a concentrated burst of detergent. The wash cycle begins only after the entire load has been treated.

### 4.3 cu. ft. Stainless Steel Wash Basket

### EcoBoost Option

- Get additional energy efficiency without giving up cleaning performance.

### Energy Star Qualified

- Meets government standards to help conserve natural resources and save money on utility bills.

### CEE Tier III Qualified

- Based on the Consortium for Energy Efficiency qualified product listings--with Tier III being the most efficient.

### Adaptive Clean Wash System

- The Adaptive Clean wash system automatically senses the size of each load to use just the right amount of water to deliver great

cleaning.

#### 12 Automatic Cycles

- Add the power of steam to select wash cycles to eliminate tough stains with virtually no pretreating.

#### Steam-Enhanced Cycles

- Add the power of steam to select wash cycles to eliminate tough stains with virtually no pretreating.

#### 5 Temperature Settings

##### Deep Clean Steam Option

- Penetrates deep into fabric fibers, breaking down and dissolving stains like grass and grease without pretreating.

#### Keep Operational Sounds Inside the Washer

#### 14 Adaptive Wash Actions

#### NSF Certified Sanitize Temperature

#### 1,400 RPM Maximum Spin Speed

#### Quiet Wash Ultra Noise Reduction System

##### Direct Drive Motor

- The direct drive motor allows the washer to spin faster, and it uses fewer moving parts, so there's less wear and tear over time.

#### Stainless Steel Wash Basket

##### Delay Wash (up to 12 Hours)

- This eco-efficient cold water cycle cleans as well as a warm water wash. An initial wash phase at the beginning of the cycle uses a high detergent concentration to remove tough stains like stains include grass, blueberry juice, red wine.

#### Internal Water Heater

##### Cold Wash Cycle

- This eco-efficient cold water cycle cleans as well as a warm water wash. An initial wash phase at the beginning of the cycle uses a high detergent concentration to remove tough stains like stains include grass, blueberry juice, red wine

##### Delicate Cycle

- A reduced agitation speed and low spin speed provide needed fabric care without sacrificing cleaning performance.

##### Normal/Casual Cycle

##### Quick Wash Cycle

- Clean small, lightly soiled loads in less time. Plus, increased spin speeds extract more water for faster dry times.

##### Bulky Items Cycle

- Ideal for cleaning bulky items like comforters, sleeping bags, down jackets or pillows, all of which fit easily into the wash basket.

##### Whitest Whites Cycle

- Raises water temperatures and releases bleach or an oxygen-based cleaner at the optimal moment to enhance whitening performance.

##### On/Off Extra Rinse Option

##### Automatic Water Level Control

- Regulates the amount of water based on the size of the load. Only the amount needed to clean is used, increasing efficiency and helping the environment.

##### Add-A-Garment Indicator Light

- Illuminates for the first 8 minutes of the wash cycle as a convenient reminder that forgotten items can still be added to the load in progress.

##### Estimated Time Remaining Display

##### LED Display

- Provides easy selection for all options, displays time remaining and status for the cycle.

##### Deep Clean Option

##### Allergen Cycle

- The Allergen cycle has been tested to remove up to 95% of harmful allergens from your clothes.

##### Clean Washer Cycle with Affresh Washer Cleaner

## Info & Guides

---

 [Owners Manual](#)

 [Installation Instructions](#)

 [Warranty](#)

 [Energy Guide](#)

.....  
You will need Adobe Acrobat Reader to view and print pdf files


[Enlarge](#)

## LG - 4.3 Cu. Ft. 14-Cycle Washer and 8-Cycle Dryer Electric Combo - White

Model: WM3997HWA | SKU: 5884179 |  
 Customer Rating: **3.5** (8 customer reviews)

# \$1,709.99

ON SALE

SAVE \$190 (Reg. \$1,899.99)

FREE DELIVERY

on appliance orders \$399 and up

[Overview](#)
[Specifications](#)
[Ratings & Reviews](#)
[Accessories](#)
[Protection & Services](#)

## Specifications

Specs:	Details:	Description:
Warranty Terms - Parts	1 year; 10 years: motor; Lifetime; drum	
Warranty Terms - Labor	1 year	
Height	38.69 inches	
Width	27 inches	
Depth	29.75 inches	
Weight	211 pounds	
Color Category	White	
Number Of Units	1	
Additional Accessories Included	Hoses, Power Cord	
Automatic Temperature Control	Yes	
Control Type	Digital	Analog refers to dial controls. Digital controls are completely digital with push-button control. Electric combines dial controls with electronic displays.
ENERGY STAR Certified	No	Devices carrying the Energy Star service mark, such as computer products and peripherals, kitchen appliances, buildings and other products, generally use 20% to 30% less energy than required by federal standards.
Fill/Drain Hoses Included	Yes	
Heavy-Duty Cycle	No	
Integrated Water Heater	No	
Number Of Drying Cycles	8	
Number Of Drying Temperatures	5	
Number Of Wash Cycles	14	
Permanent Press Cycle	Yes	
Power Cord Included	Yes	
Quick-Wash Cycle	Yes	
Sensor Dry	Yes	A feature that measures the humidity in the drum and will automatically adjust drying time to the level of dryness you have

select.

<b>Washer/Dryer Combo Type</b>	All-in-one units	
<b>Allergy Cycle</b>	Yes	
<b>Amperage</b>	12 amperes	
<b>Auto Dry Cycle</b>	Yes	
<b>Bleach Dispenser</b>	Yes	
<b>CEE Qualified</b>	Yes	Consortium for Energy Efficiency. CEE is an EPA Climate Protection award-winning consortium of efficiency program administrators from the United States and Canada.
<b>Child Lock</b>	Yes	
<b>Compact Design</b>	No	
<b>Cotton Cycle</b>	Yes	
<b>Damp Dry</b>	Yes	
<b>Delay Start</b>	Yes	
<b>Delicates Cycle</b>	Yes	
<b>Drying Rack</b>	No	
<b>End-Of-Cycle Signal</b>	Yes	
<b>Extra-Rinse Cycle</b>	Yes	
<b>Fabric Softener Dispenser</b>	Yes	
<b>Hand-Washable Cycle</b>	Yes	
<b>High-Efficiency Design</b>	Yes	
<b>Lint Filter</b>	Yes	
<b>Maximum Spin Speed</b>	1300 revolutions per minute	
<b>Noise Reduction</b>	Yes	
<b>NSF Listed</b>	Yes	National Sanitation Foundation; develops public health standards and certification of global consumer products.
<b>Number Of Rinse Cycles</b>	1	
<b>Number Of Rinse Temperatures</b>	2	
<b>Number Of Wash Speeds</b>	5	
<b>Number Of Wash Temperatures</b>	5	
<b>Pre-Wash Cycle</b>	Yes	
<b>Pre-Wash Detergent Dispenser</b>	No	
<b>Sanitation Cycle</b>	Yes	
<b>Second Rinse</b>	Yes	After the washer washes, rinses and spins, it rinses and spins again.
<b>Steam Function</b>	Yes	
<b>Time-Remaining Display</b>	Yes	
<b>UL Listed</b>	Yes	Underwriters Laboratories

<b>Vibration Reduction</b>	Yes
<b>Voltage</b>	120 volts
<b>Wrinkle-Free Cycle</b>	Yes
<b>Capacity</b>	4.3 cubic feet
<b>Depth With Door Open</b>	51 inches
<b>Door Style</b>	Hamper
<b>Drum Material</b>	Stainless steel
<b>Interior Light(s)</b>	Yes
<b>Window</b>	Yes
<b>UPC</b>	048231014151

*Product images, including color, may differ from actual product appearance.*



# 36" Gas Cooktop

800 Series - Stainless Steel NGM8655UC



NGM8655UC

Also available in:  
Black NGM8665UC

**Bosch cooktops are engineered to perform, offering high heat burners for optimal cooking results.**

## Features & Benefits

Powerful 18,000 BTU center burner speeds cooking time.

Heavy-duty metal knobs for a premium look and feel.

Distinctive red LED light indicates burners are on.

## General Properties

Knob material	Metal
Sealed burners	Yes
Grate material	Cast iron

## Element Performance

Total BTU load (NG / LP)	59,500 / 47,300
Power of front left burner (NG / LP)	12,000 / 9,100
Power of back left burner (NG / LP)	12,000 / 9,100
Power of center burner (NG / LP)	18,000 / 15,000
Power of back right burner (NG / LP)	5,500 / 5,000
Power of front right burner (NG / LP)	12,000 / 9,100

## Technical Details

Watts	360 W
Circuit breaker	15 A
Volts	120 V
Frequency	60 Hz
Plug type	3 prong
Power cord length	60"
Energy source	Gas
Convertible to LP (kit required)	Yes

## Dimensions & Weight

Overall appliance dimensions (HxWxD)	3 13/16" x 37" x 21 1/4"
Required cutout size (HxWxD)	3 13/16" x 34 15/16" x 19 1/8"
Minimum distance from counter front	1 7/8"
Minimum distance from rear wall	3"
Net weight	39 lbs

## Accessories—Included

Included	LP conversion kit
----------	-------------------



For help and assistance with Bosch accessories please visit: [www.bosch-eshop.com/eshop/bosch/us](http://www.bosch-eshop.com/eshop/bosch/us) or call 1-800-944-2904 Mon-Fri 5am to 6pm PST Sat 6am to 3pm PST

Notes: All height, width and depth dimensions are shown in inches. Please refer to installation instructions prior to making cutout. BSH reserves the absolute and unrestricted right to change product materials and specifications, at any time, without notice. Consult the product's installation instructions for final dimensional data and other details. Applicable product warranty can be found in accompanying product literature or you may contact your account manager for further details.

Warranties: Bosch warrants that the Product is free from defects in materials and workmanship for a period of three hundred and sixty-five (365) days from the date of purchase. The foregoing timeline begins to run upon the date of purchase, and shall not be stalled, tolled, extended, or suspended, for any reason whatsoever. This Product is also warranted to be free from cosmetic defects in material and workmanship (such as scratches of stainless steel, paint/porcelain blemishes, chip, dents, or other damage to the finish of the Product, for a period of thirty (30) days from the date of purchase or closing date for new construction. This cosmetic warranty excludes slight color variations due to inherent differences in painted and porcelain parts, as well as differences caused by kitchen lighting, product location, or other similar factors. This cosmetic warranty specifically excludes any display, floor, "As Is", or "B" stock appliances.

For more information on our entire line of products, go to [www.bosch-home.com/us](http://www.bosch-home.com/us) or call 1-800-944-2904

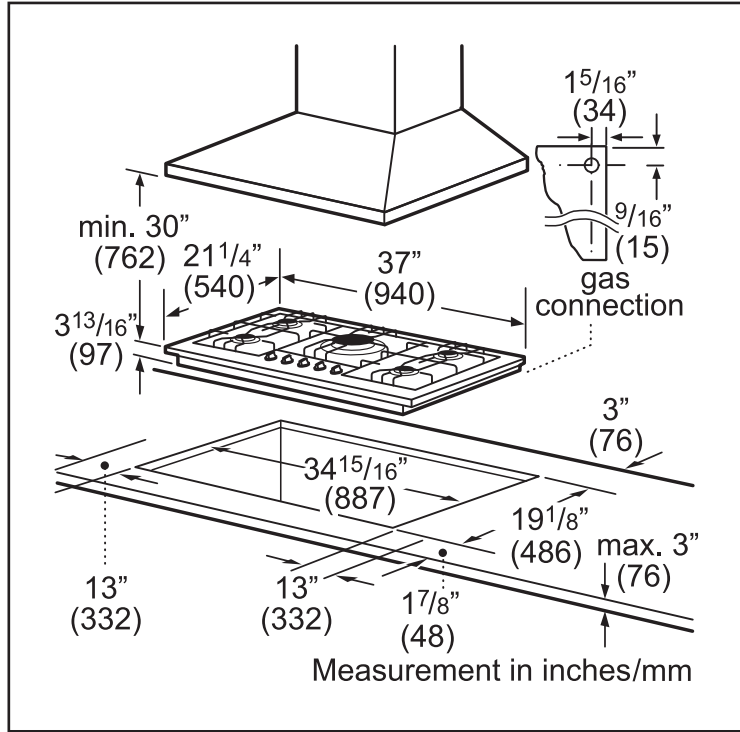
© BSH Home Appliances Corporation. All rights reserved. Bosch is a registered trademark of Robert Bosch GmbH.

# 36" Gas Cooktop

800 Series - Stainless Steel NGM8655UC

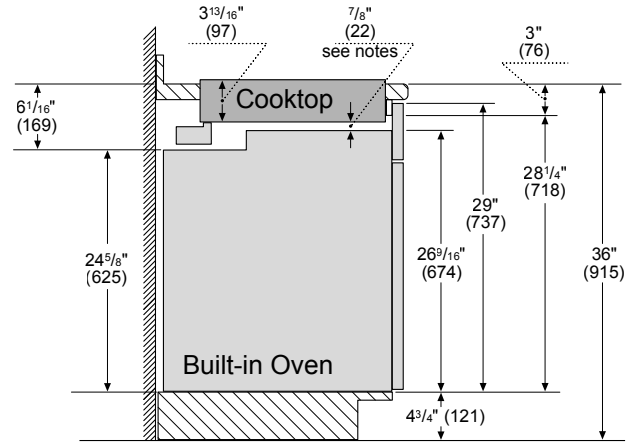


## Installation Details



## Installation above Wall Ovens

30" Built-in oven - under gas cooktop



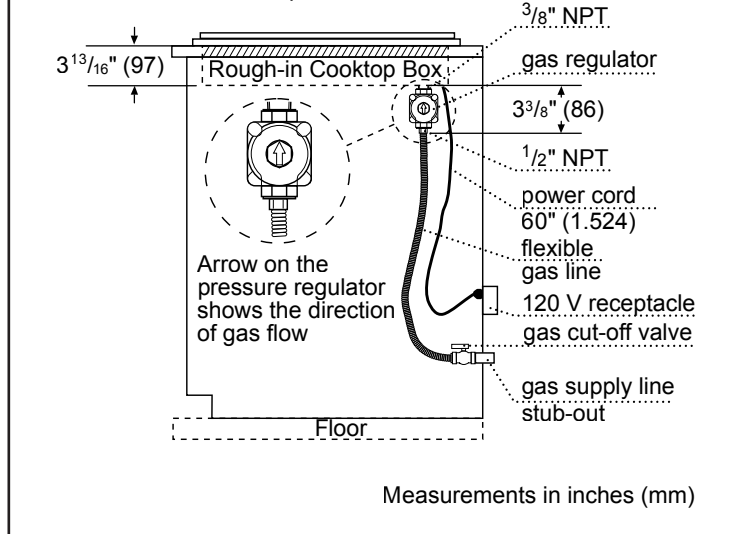
### Notes:

Dimensions based on standard countertop height (36" with 4 3/4" toe kick including base plate).

The built-in oven can be installed below the gas cooktop as long as there is no contact between the bottom of the cooktop and the top of the oven.

Measurements in inches (mm)

## Side View Gas Cooktop Installation



For help and assistance with Bosch accessories please visit: [www.bosch-eshop.com/eshop/bosch/us](http://www.bosch-eshop.com/eshop/bosch/us) or call 1-800-944-2904 Mon-Fri 5am to 6pm PST Sat 6am to 3pm PST

Notes: All height, width and depth dimensions are shown in inches. Please refer to installation instructions prior to making cutout. BSH reserves the absolute and unrestricted right to change product materials and specifications, at any time, without notice. Consult the product's installation instructions for final dimensional data and other details. Applicable product warranty can be found in accompanying product literature or you may contact your account manager for further details.

Warranties: Bosch warrants that the Product is free from defects in materials and workmanship for a period of three hundred and sixty-five (365) days from the date of purchase. The foregoing timeline begins to run upon the date of purchase, and shall not be stalled, tolled, extended, or suspended, for any reason whatsoever. This Product is also warranted to be free from cosmetic defects in material and workmanship (such as scratches of stainless steel, paint/porcelain blemishes, chip, dents, or other damage to the finish of the Product, for a period of thirty (30) days from the date of purchase or closing date for new construction. This cosmetic warranty excludes slight color variations due to inherent differences in painted and porcelain parts, as well as differences caused by kitchen lighting, product location, or other similar factors. This cosmetic warranty specifically excludes any display, floor, "As Is", or "B" stock appliances.

For more information on our entire line of products, go to [www.bosch-home.com/us](http://www.bosch-home.com/us) or call 1-800-944-2904

© BSH Home Appliances Corporation. All rights reserved. Bosch is a registered trademark of Robert Bosch GmbH.



## 5 SERIES 30" AND 36"W. GAS RANGES

Viking Professional 5 Series – VGCC

### COMMERCIAL-TYPE COOKING POWER

- **EXCLUSIVE** – VSH™ (VariSimmer-to-high) Pro sealed burner system
  - TruPowerPlus™ 18,500 BTU front right burner select 36" and 48" wide models only)
  - All other burners are 15,000 BTUs
- **EXCLUSIVE** – VariSimmer setting for all burners
- **EXCLUSIVE** – all burners equipped with SureSpark ignition system for consistent and reliable ignition
  - Automatic re-ignition; surface burners light at any position on the knob and re-light if extinguished, even on lowest setting
- Heavy-duty metal knobs with stainless steel finish shipped standard
- **EXCLUSIVE** – combination of single 30,000 BTU U-shaped burner and infrared broiler with SureSpark ignition system; left oven in 48" wide model has one 15,000 BTU burner
- Gourmet-Glo infrared broiler provides intense searing heat for broiling applications (right oven only in 48" wide model)
- Large-capacity oven with six rack positions (see specifications for oven interior dimensions)
- Six functions – natural airflow bake, convection bake, infrared broil, convection infrared broil, convection dehydrate, and convection defrost (right oven only in 48" wide model)
- All convection modes utilize the ProFlow™ convection air baffle, which is specifically designed to ensure balanced airflow for even heat distribution
- Convection fan switch conveniently located on control panel
- Heavy-duty broiler pan/grid
- Two halogen oven lights for excellent visibility throughout the oven cavity



### EASY OPERATION AND CLEANUP

- **EXCLUSIVE** – one-piece tooled and porcelainized cooking surface for easy cleanup
- Burner caps are easily removable for quick cleaning
- Heavy-duty, porcelainized, cast-iron removable surface grates provide continuous front-to-rear, left-to-right surface for easy movement of large pots

### MODEL NUMBERS

- VGCC5304B – 30"W. Gas Range; four burners
- VGCC5366B – 36"W. Gas Range; six burners
- VGCC5364G – 36"W. Gas Range; four burners with griddle

### ACCESSORIES

- P30BG8 – 8"H. backguard for 30" range
- P36BG8 – 8"H. backguard for 30" range
- B30HS24 – high shelf for 30" range
- B36HS24 – high shelf for 30" range
- P24CST – countertop side trim (2 pieces)
- P30CRT – countertop rear trim for 30" range
- P36CRT – countertop rear trim for 36" range
- P30CBF4 – curb base and custom curb base front for 30" range
- P36CBF4 – curb base and custom curb base front for 36" range
- LPKPDR – LP/Propane Conversion Kit
- TGSO301 – Tru-Glide™ full extension rack for 30" range
- TGSO361 – Tru-Glide™ full extension rack for 36" range

### COLOR FINISHES

- Available in seven exclusive color finishes
- Stainless Steel (SS), Black (BK), White (WH), Apple Red (AR), Burgundy (BU), Cobalt Blue (CB), Graphite Gray (GG)



### WARRANTY

- 3-year full – complete product
- 90-day full – cosmetic parts such as glass, painted items and decorative items
- 5-year limited – gas burners





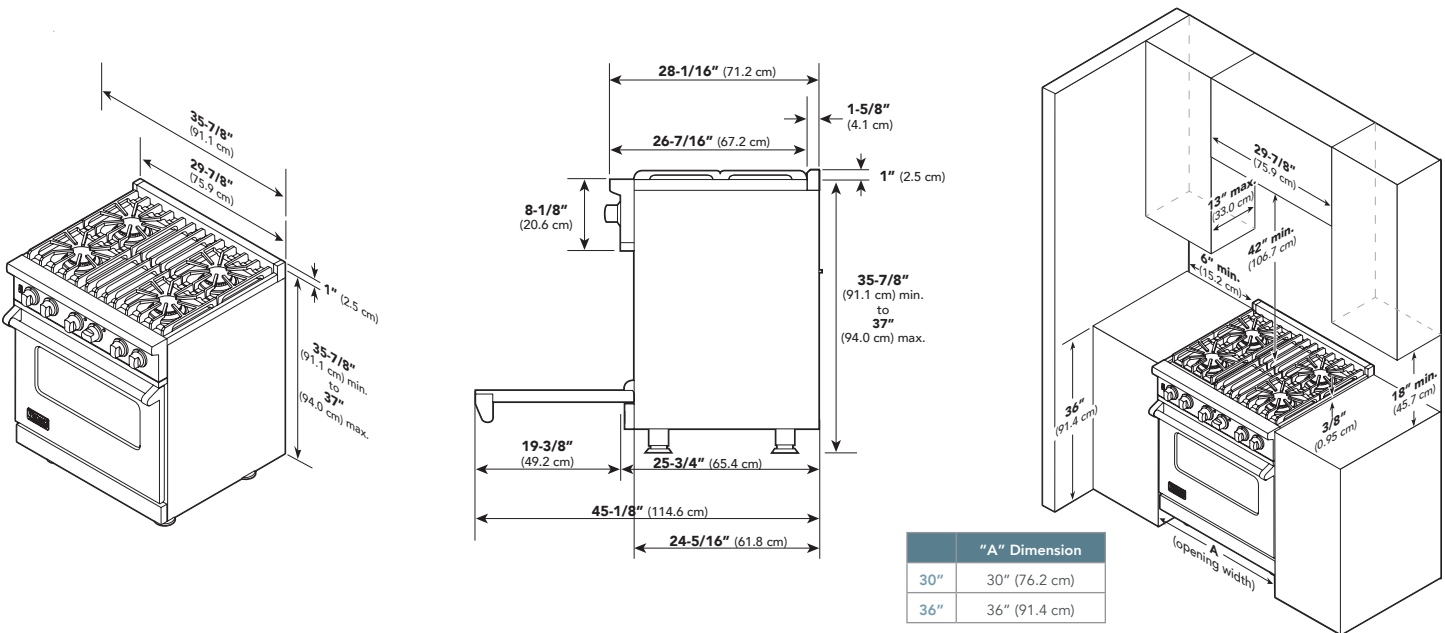
# 5 SERIES 30" AND 36"W. GAS RANGES

Viking Professional 5 Series – VGCC

GAS 30" AND 36" W. RANGES		
DESCRIPTION	VGCC530	VGCC536
Overall Width	29-7/8" (75.9 cm)	35-7/8" (91.1 cm)
Overall Height from Bottom	Base Height To top of side trim – minimum 35-7/8" (91.1 cm) to maximum 37" (94 cm); legs adjust 1-1/8" (2.9 cm) Additions to Base Height To top of island trim – add 1" (2.5 cm); to top of backguard – add 8" (15.2 cm); to top of high shelf – add 23 1/2" (59.7 cm)	
Overall Depth from Rear	To end of side panel – 24 5/16" (61.8 cm); to front of door – 25-3/4" (65.4 cm); to end of door handle – 28-11/16" (72.9 cm)	
Surface Burner Rating	15,000 BTU NAT./12,500 BTU LP (4.4 kW NAT./3.7 kW LP)	Natural Gas: 15,000 BTU (4.4 kW); 18,500 BTU (5.4 kW) LP: 12,500 BTU (3.7 kW); 16,600 BTU (4.9 kW)
Griddle Burner Rating	–	15,000 BTU NAT./12,500 BTU LP (4.4 kW NAT./3.7 kW LP)
Grill Burner Rating	–	18,000 BTU NAT./16,000 BTU LP (5.3 kW NAT./4.7 kW LP)
Gas Requirements	Accepts standard residential 1/2" (1.3 cm) ID gas service line. Order either natural gas or LP propane; to field convert from natural gas to LP propane, order optional LP conversion kit.	
Electrical Requirements	120VAC/60Hz; 4 ft. (121.9 cm), 3-wire cord with grounded 3-prong plug attached to product	
Maximum Amp Usage	0.83 amps	1.5 amps
Broil Burner	18,000 BTU NAT./16,000 BTU LP (5.3 kW NAT./4.7 kW LP)	
Bake Burner	30,000 BTU NAT./LP (8.8 kW NAT./LP)	
Oven Interior Dimensions	Convection Bake/Broil Overall Width – 23" (58.4 cm); Height – 16-1/8" (40.9 cm); Depth – 18-3/4" (47.6 cm); Overall Size – 4.0 cu. ft. AHAM Standard* – 3.7 cu. ft. 3 racks, 6 rack positions	Convection Bake/Broil Overall Width – 29" (73.7 cm); Height – 16-1/8" (40.9 cm); Depth – 18-3/4" (47.6 cm); Overall Size – 5.1 cu. ft. AHAM Standard* – 4.6 cu. ft. 3 racks, 6 rack positions
Approximate Shipping Weight	395 lb. (177.8 kg)	6B – 500 lb. (225 kg); 4G – 510 lb. (229.5 kg) 4C – 510 lb. (229.5 kg)

Please do not prepare installation from brochure data only. See installation instructions for important clearance/installation information.

\*\*The AHAM Standard for measuring oven capacity subtracts the door plug and convection baffle dimension from the total oven volume.



VIKING RANGE, LLC 111 FRONT STREET GREENWOOD, MISSISSIPPI 38930 USA

For detailed product information, model numbers, or to request a quote call 1-888-845-4641 or visit vikingrange.com

© 2014 Viking Range, LLC All rights reserved. Specifications subject to change without notice.

# Electric Freestanding Ranges

EW30EF65G S, EW30EF65G W, EW30EF65G B

Featuring Wave-Touch™ Electronic Controls



### Flex-2-Fit™ System

Premium smoothtop cooking with triple-ring expandable, dual-ring expandable and single-ring elements fit all pots and pans.



### Sure-2-Fit™ Convection Oven with Hidden Bake Element

Adjustable Luxury-Glide™ oven racks are so smooth and extend effortlessly. Luxury-Design™ Lighting ramp-up designer halogen lighting is as beautiful as it is functional. Exclusive Luxury-Hold™ oven door stays put at whatever angle you place it.



### Baking Options

Features 7 cooking modes and 10 cooking options including our exclusive Perfect Turkey™ button for large holiday meals. Perfect Convection3™ Third Element European Convection System features a variable 2-speed fan for more even cooking.



### Perfect Pair™ Oven

A large main oven and a second oven combine for 6.7 cubic feet of total cooking capacity. Use both simultaneously to cook two different items at two different temperatures.

## 30" ELECTRIC FREESTANDING RANGES

Sabbath Mode (Star-K® Certified)	Yes
----------------------------------	-----

### Control Panel Features

Wave-Touch™ Electronic Oven Control	Yes
Perfect Set™ Element Controls	Yes
Glass Front Display	Yes
Electronic Clock & Timer	Yes
Temperature Display	Yes
Automatic Oven (Delay, Cook & Off)	Yes

### Cooktop Features

Flex-2-Fit™ Ceramic Glass Smoothtop	Yes
6" to 9" to 12" Triple Expandable Element – 1000W/2000W/2700W	1
6" to 9" Dual Expandable Element – 1600W/3000W	1
5" to 7" Dual Expandable Element – 750W/1800W	1
6" Electric Element – 1200W	1
Warming Zone – 100W	Yes

### Oven Features

Capacity	5.7 Cu. Ft.
Hidden Bake Element	Yes
Eight-Pass Bake Element – 3000 Watts	Yes
Eight-Pass Broil Element – 4000 Watts	Yes
Convection Element – 350 Watts	Yes
Cobalt Blue Interior	Yes
Self-Clean Options with Door Lock	3
Perfect Convection3™ with Variable 2-Speed Fan	Yes
Cooking Modes – Bake, Broil, Convection Bake, Convection Roast, Convection Broil, Keep Warm, Slow Cook	7

### Cooking Options –

Perfect Turkey™, Defrost, Dehydrate, Bread Proof, My Favorites, Multi-Stage Cooking, Temperature Probe, Rapid Preheat, Delay Bake, Convection Convert	10
---	----

Luxury-Design™ Lighting with Dual 40W Halogen Bulbs	Yes
Luxury-Glide™ Racks	2
Conventional Racks	1
Convection Roasting Rack	Yes

### Additional Features

Signature Soft-Arc Oven Door and Handle Design	Yes
Luxury-Hold™ Oven Door	Yes
Extra-Large Glass Window	Yes
Perfect Pair™ Lower Oven	Yes
Fully Extendable Drawer Glides	Yes
Adjustable Leveling Legs	Yes

### Accessories

Porcelain Broiler Pan and Insert	Included
Grill/Griddle – 318251611	Optional

### Specifications

Oven Cavity Dimensions –	
Height	21-3/8"
Width	24-1/4"
Depth	19-1/8"

### Overall Exterior Dimensions –

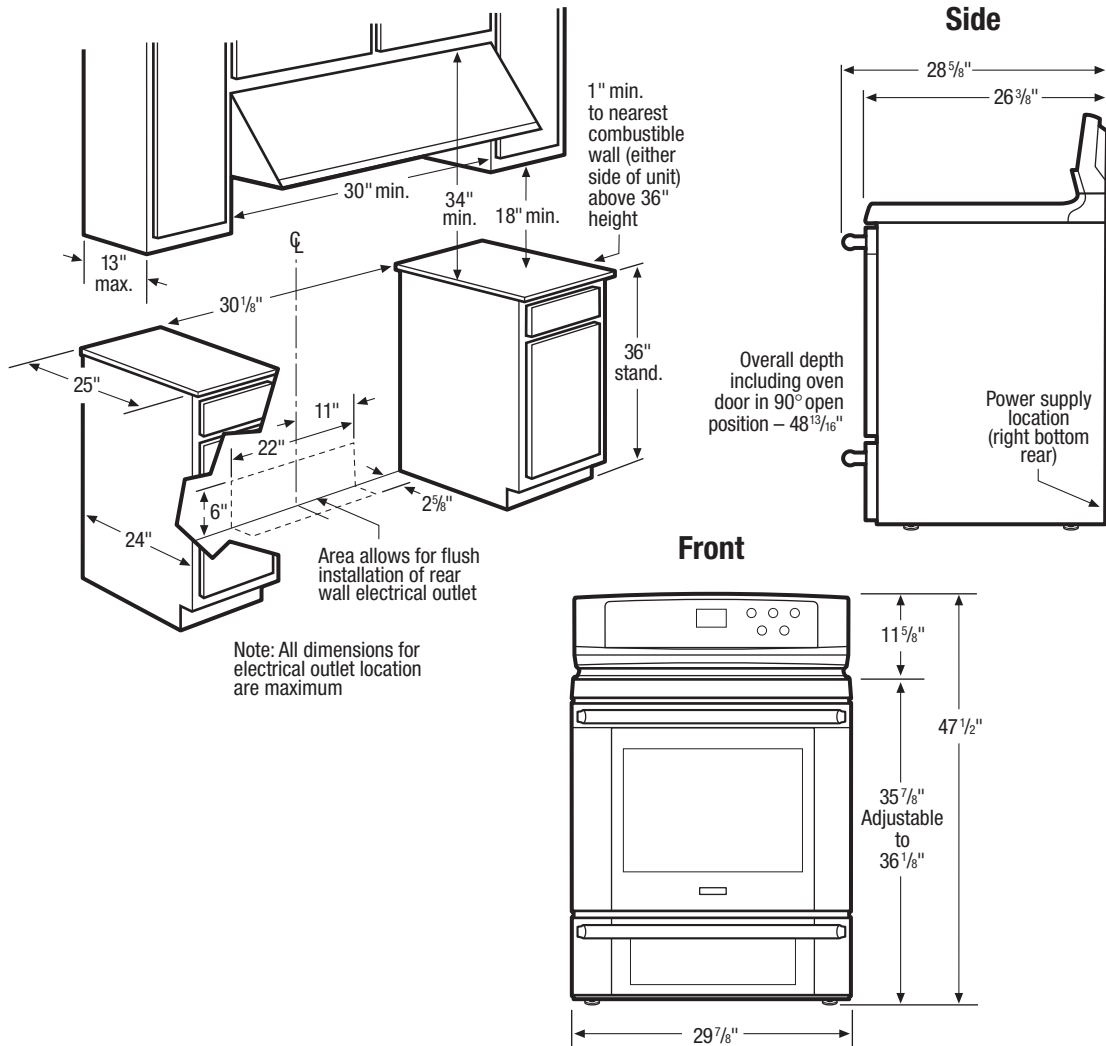
Height	47-1/2"
Width	29-7/8"
Depth (to Center of Arc) (with 90° Door Open)	26-27/32" 48-13/16"

Power Supply Connection Location	Right Bottom Rear
Voltage Rating	240V/60Hz/50A
Connected Load (kW Rating) @ 240/208 Volts	17.0/12.5
Minimum Circuit Required (Amps)	50
Product Weight	240 Lbs.
Shipping Weight (Approx.)	285 Lbs.

NOTE: Always consult local and/or national electric codes. Refer to Product Installation Guide for detailed installation instructions on the web at [www.electroluxappliances.com](http://www.electroluxappliances.com). Specifications subject to change.

# Electric Freestanding Ranges

EW30EF65G S, EW30EF65G W, EW30EF65G B



## 30" Electric Freestanding Range Specifications

- Product Weight – 240 Lbs.
- Single phase 3- or 4-wire cable, 120/240 or 120/208 Volt, 60 Hertz, fused on both sides of line with ground.
- Connected Load (kW Rating) @ 240/208 Volts = 17.0/12.5 kW
- Amps @ 240/208 Volts = 41.7/ 34.2 Amps
- Recommended Circuit Breaker – 50 Amps
- Always consult local and/or national electric codes.
- Overhead cabinetry should not exceed a 13" maximum depth.
- Allow 30" minimum clearance between rangetop and bottom of unprotected wood or metal overhead cabinetry.
- Absolute minimum horizontal distance between overhead cabinets installed to either side of appliance must be no less than maximum width of appliance.

- Allow 24" minimum clearance when bottom of wood or metal overhead cabinet is protected by not less than 1/8" flame-retardant millboard covered with not less than No. 28 MGS sheet steel, 0.015" stainless steel, 0.024" aluminum or 0.020" copper.
- Allow 1" minimum clearance from edge of rangetop to nearest combustible wall on either side of unit.
- To reduce risk of fire when using overhead cabinetry, install range hood that projects horizontally a recommended minimum of 5" beyond bottom of cabinets.

**Note: For planning purposes only. Refer to Product Installation Guide on the web at [electroluxappliances.com](http://electroluxappliances.com) for detailed instructions.**

### Optional Accessories

- Grill/Griddle – (318251611).



USA • 250 Bobby Jones Expressway • Augusta, GA 30907 • 1-877-4electrolux (1-877-435-3287) • [electroluxappliances.com](http://electroluxappliances.com)  
CANADA • 5855 Terry Fox Way • Mississauga, ON L5V 3E4 • 1-800-265-8352 • [electroluxappliances.ca](http://electroluxappliances.ca)

EW30EF65G 01/08

© 2008 Electrolux Major Appliances, NA



High standards of quality at Electrolux Major Appliances mean we are constantly working to improve our products. We reserve the right to change specifications or discontinue models without notice.

Printed in the U.S.A.

# Whirlpool® Side by Side Refrigerator

## PRODUCT MODEL NUMBERS

GSC25C4EY      WRS321CDB  
 GSC25C5EY      WRS965CIA  
 GSC25C6EY

**Electrical:** A 115-Volt, 60-Hz., AC-only 15- or 20-amp fused, grounded electrical supply is required. It is recommended that a separate circuit serving only your refrigerator be provided. Use an outlet that cannot be turned off by a switch. Do not use an extension cord.

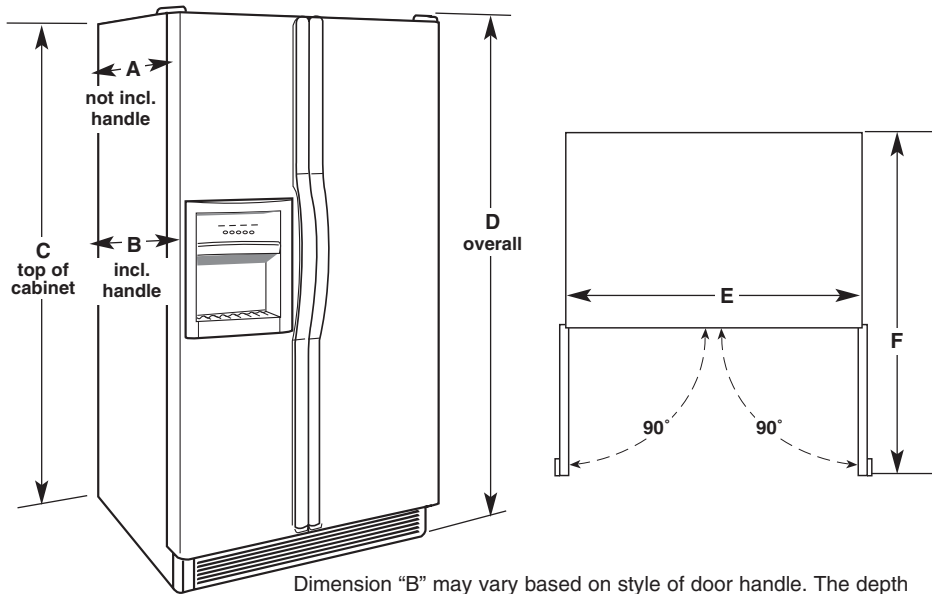
**NOTE:** Before performing any type of installation or cleaning, or removing a light bulb, turn cooling off or turn the Refrigerator or Freezer Control (depending on the model) to OFF, and then disconnect the refrigerator from the electrical source. When you are finished, reconnect the refrigerator to the electrical source and turn cooling on or reset the Refrigerator or Freezer Control (depending on the model) to the desired setting.

**Water:** A cold water supply with water pressure between 30 and 120 psi (207 and 827 kPa) is required for the water dispenser and ice maker.

**IMPORTANT:** The pressure of the water supply coming out of a reverse osmosis system going to the water inlet valve of the refrigerator needs to be between 30 and 120 psi (207 and 827 kPa).

If a reverse osmosis water filtration system is connected to your cold water supply, the water pressure to the reverse osmosis system needs to be a minimum of 40 to 60 psi (276 to 414 kPa).

## PRODUCT DIMENSIONS

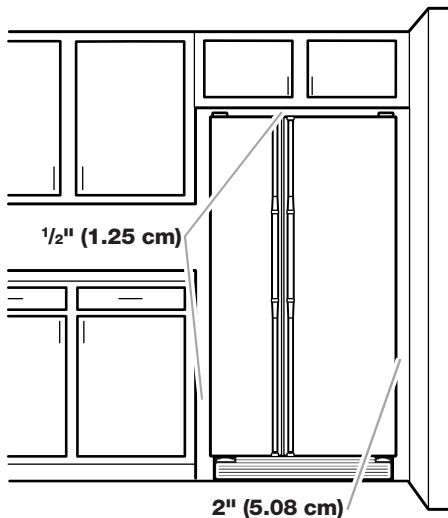


Dimension "B" may vary based on style of door handle. The depth for the largest available handle is listed.

Dimensions "C" and "D" include the leveling legs extended to the minimum height of ¼" (6.35 mm) below the refrigerator. When leveling legs are fully extended to 1" (2.54 cm), add ¾" (19.05 mm).

Door Style	Model Size	Depth "A"	Depth w/Handle "B"	Cab. Height "C"	Overall Height "D"	Cab. Width "E"	Depth "F" with Doors Open 90°
Flat	69"	27½" (69.8 cm)	30" (76.3 cm)	68½" (174.2 cm)	68¾" (174.9 cm)	35½" (90.0 cm)	45¾" (116.4 cm)
Flat	72"	27½" (69.8 cm)	30" (76.3 cm)	71" (180.2 cm)	71¼" (180.9 cm)	35½" (90.0 cm)	45¾" (116.4 cm)
Curved	69"	28⅝" (72.5 cm)	31⅞" (79.1 cm)	68½" (174.2 cm)	68¾" (174.9 cm)	35½" (90.0 cm)	45¾" (116.4 cm)
Curved	72"	28⅝" (72.5 cm)	31⅞" (79.1 cm)	71" (180.2 cm)	71¼" (180.9 cm)	35½" (90.0 cm)	45¾" (116.4 cm)

## LOCATION REQUIREMENTS



To ensure proper ventilation for your refrigerator, allow for ½" (1.25 cm) of space on each side and at the top. Allow for 1" (2.54 cm) of space behind the refrigerator. If your refrigerator has an ice maker, allow extra space at the back for the water line connections. When installing your refrigerator next to a fixed wall, leave a 2" (5.08 cm) minimum space on each side (depending on your model) to allow the doors to swing open.

Normal minimum cabinet cut-out width required for product installation is 36" (91.44 cm). However, if the product is placed against an extended wall and the ability to remove the crisper pans is desired, an additional 18½" (46.99 cm) of cabinet width is required, so a total cabinet opening width of 54½" (138.43 cm) is recommended.

**NOTE:** This refrigerator is intended for use in a location where the temperature ranges from a minimum of 55°F (13°C) to a maximum of 110°F (43°C). The preferred room temperature range for optimum performance, which reduces electricity usage and provides superior cooling, is between 60°F (15°C) and 90°F (32°C). It is recommended that you do not install the refrigerator near a heat source, such as an oven or radiator.



Go

- cooking
- refrigerators
- washers & dryers
- dishwashers
- outdoor
- sinks & faucets
- air conditioners
- vacuums
- packages
- brands
- on sale!

# SAVINGS CENTER

UP TO **40% OFF**

[Shop Now](#)

[Home](#) > [Refrigeration](#) > [Refrigerators](#) > [Compact Refrigerators](#) > SCR450LBIX



## Summit SCR450LBIX

20" Undercounter All-Refrigerator with 4.1 cu. ft. Capacity, Wire Shelves, Interior Light, Factory Installed Lock, Hospital Grade Cord and Glass Door

To order or learn more please  
call us at 800-570-3355

[Price Match Policy](#)

[Print](#)

Share this item:



### Quick Specs

#### Appearance

Type : Built In  
Style : Full Refrigerator  
Size : Compact  
Counter-Depth : Yes  
Glass Door : Yes  
Undercounter : Yes  
Hinge Side : Right  
Door Finish : Smooth  
Accepts Custom Panels : No  
Wine Racks (Category) : No  
Door Color : Stainless Steel

#### Dimensions

Width : 19 19/20"  
Depth : 23 3/8"  
Height : 33 1/4"

#### Capacity

Refrigerator Capacity : 4.1 Cu. Ft.  
Total Capacity : 4.1 Cu. Ft.

#### Refrigerator Features

Type of Shelves : Wire  
Glass Shelves : No  
Wire Shelves : Yes  
Plastic Shelves : No  
Stainless Steel Shelves : No  
No. of Shelves : 3  
Slide-out Shelves : Yes  
Spill Safe Shelves : No  
Cantilever Shelves : No  
Split Shelves : No  
Adjustable Door Bins : No  
Gallon Door Storage : No  
Water Dispenser : No  
Dairy Center : No  
Clear Deli Drawer : No  
Child Lock : No  
Door Lock : Yes  
Wine Bottle Holder : No  
Can Dispenser : No  
Digital Temperature Control : No  
Sabbath Mode : No

#### Technical Details

Energy Star Rated : No  
Star-K Certified : No  
ADA Compliant : No  
Approved for Commercial Use : No  
Approved for Medical Use : No  
Approved for Outdoor Use : No



Roll over image to zoom in



Image disclaimer

Like [Sign Up](#) to see what your friends like.

### Companion Products, Options, and Accessories

Summit  
SCR450LBIX



This item

#### Additional Options

##### Exterior Upgrades

- Add **Antimicrobial Steel Cabinet** ([AGIONCABINET](#)) [preview](#) + \$167.00

---

- Add **Solar Powered Thermometer** ([TH](#)) [preview](#) + \$117.00

---

- Add **Steel Rack For Stacking Two 20" Models** ([STACKRACK20](#)) [preview](#) + \$147.00

---

- Add **Self Closing Door** ([SCD](#)) [preview](#) + \$225.00

---

- Add **Factory-Installed Probe Hole** ([PH](#)) + \$158.00

---

- Add **Spring-Loaded Latch For Ship or Mobile Applications** ([LATCH](#)) [preview](#) + \$117.00

---

- Add **External Humidity Sensor with Alarm** ([HUM](#)) [preview](#) + \$225.00



Amps : 15  
Voltage : 115 Volts

## Are You a Builder?

Contact us for volume discounts and special pricing

Get Quote



Add

Precision Digital Thermostat [\(DT\) preview](#)

+ \$258.00

Add

Factory-Installed USB Temperature Logger [\(DL1\) preview](#)

+ \$392.00

Add

Temperature Alarm with Readout [\(ALARM\) preview](#)

+ \$208.00

Add

NIST Traceable Thermometer [\(TT\) preview](#)

+ \$175.00

### Interior Upgrades

Add

3 Glass Shelves [\(GLS\) preview](#)

+ \$100.00

### Lock Upgrades

Add

Extra Key [\(KEY\)](#)

+ \$9.00

Accessories

Description

Energy Info

Specifications

Features

Info & Guides

Reviews

## Accessories

Add



[Stainless Steel Cleaner and Polish - 8 Oz.](#)

\$9.00

## Description

### 20" Built-In Glass Door All-Refrigerator

SUMMIT SCR450LBI Series features 20" wide auto defrost glass door refrigerators designed for built-in use under counters.

These 4.1 cu. ft. units come with fully finished white cabinets (choose suffix CSS for stainless steel) and factory installed key locks. All models include adjustable wire shelves, interior lighting on a rocker switch, and a hospital grade cord with a 'green dot' plug. Sized just under 20" wide, these refrigerators are capable of built-in or freestanding use.

The SCR450LBI Series is offered with a variety of stainless steel handle styles, from sleek horizontally mounted handles to full-length towel bars. Browse their full selection for the look that fits your setting.

### Something For Everyone

Today, SUMMIT carry over 600 models of specialty refrigerators and freezers, including the largest range of fully automatic defrost compacts available on the market. Additionally, their product line consists of ranges, microwave ovens, cooktops, combination kitchens, washers and dryers, beer dispensers, wine cellars, and more. With their expanding line of built-in and freestanding units, SUMMIT serves a variety of household, commercial, and scientific markets. Specialized compact products for offices, schools, and food service establishments, refrigerators and freezers for medical and laboratory storage, minibars for hotels, and the industry's largest selection of weather-proof outdoor refrigerators are just a few of the items you can find in their always expanding catalogue. Available at AJ Madison.

### What Makes Them Different

From innovative design to superior construction, SUMMIT products embody quality from the inside out. Their models can be modified to meet specific customer needs, whether that means adding brass finishes to a beer dispenser for a dramatic look or installing digital controls on laboratory coolers for user flexibility. They offer a full range in style and size that includes their unique thin-line models, designed to fit in those commonly found but hard-to-fill narrow spaces. They have one of the industry's largest collection of ADA compliant appliances and proudly manufacture a dozen models of ENERGY STAR listed products.

## Energy Info

This refrigerator uses **406 kWh/yr.** and has an estimated yearly operating cost of **\$45.03.**

Your operating costs will depend on your utility rates and use. The estimated operating cost is based on a 2011 national average electricity cost of \$0.1109 cents per kWh.

For more information, visit [www.ftc.gov/appliances](http://www.ftc.gov/appliances).

## Specifications

### Specifications

Capacity: 4.1 Cu. Ft.

Defrost Type: Automatic

Thermostat Type: Dial

Door Swing: Right Hinge

<b>Shelf Type:</b> Wire
<b>Shelf Quantity:</b> 3
<b>Adjustable Shelf:</b> Yes
<b>Light:</b> Yes
<b>Wheel Quantity:</b> 2
<b>Level Legs Quantity:</b> 2
<b>Freon Type:</b> R134a
<b>Freon Oz.:</b> 1.75 Oz.
<b>High Side PSI:</b> 205.0
<b>Low Side PSI:</b> 103.0
<b>Energy Usage/Year:</b> 406.0 kWh/Year
<b>US Electrical Safety:</b> ETL
<b>Canadian Electrical Safety:</b> ETL-C
<b>Voltage:</b> 115 V AC
<b>Frequency:</b> 60 Hz
<b>Amps:</b> 1.4 Amps
<b>Compressor Warranty:</b> 5 Years
<b>Parts/Labor Warranty:</b> 1 Year
<b>Dimensions and Weights</b>
<b>Overall Width:</b> 19 19/20"
<b>Overall Depth:</b> 23 3/8"
<b>Overall Height:</b> 33 1/4" - 34 1/2"
<b>Interior Width:</b> 17"
<b>Interior Depth:</b> 17"
<b>Interior Height:</b> 29"
<b>Weight:</b> 57.0 Lbs.

## Features

### Slim 20" Width

- Full 4.1 cu. ft. capacity inside conveniently slim footprint.

### Built-In Capable

- Make the best use of space by installing your appliance under the counter.

### Fully Finished Cabinet

- Allows the unit to be used freestanding.

### Glass Door

- Heat resistant design offers full view of interior.

### Factory Installed Lock

- Keyed security on the refrigerator door.

### Automatic Defrost

- Reduced maintenance with auto defrost system.

### Adjustable Shelves

- Rearrange refrigerator space to accommodate all sizes or remove shelves for simple cleanup.

### Hospital Grade Cord with 'Green Dot' Plug

- Secure three-pronged cord for added unit safety.

### Interior Light

- Turn the light on and off with a convenient rocker switch.

### Adjustable Thermostat

- Manage the temperature with ease and accuracy.

### Reversible Door (Base and HH Models)

- Keep your options flexible with a reversible door that is easy to switch when your arrangement changes.

### Alternate Handles

- Browse their selection for the handle that suits your style.

### 100% CFC Free

- Environmentally friendly design with no ozone-damaging chemicals.
- Available at AJ Madison.
- [www.ajmadison.com](http://www.ajmadison.com)

## Info & Guides

[Energy Guide](#)



# FRIGIDAIRE

**Frigidaire FFBC4622QS**

4.6 cu. ft. Freestanding Beverage Center with 3 Adjustable Glass Shelves, 138 12 oz. Can Capacity, Pop-Out Key Lock, Tinted Glass Window and Reversible Door Swing

Your Price: **\$493.00**

Savings **-\$14.00**

Today's Price: **\$479.00**

Price Match Policy

Print

Share this item:



Qty:

Roll over image to zoom in



Image disclaimer

Like Be the first of your friends to like this.

## Companion Products, Options, and Accessories

Frigidaire  
FFBC4622QS



This item

- Accessories
- Description
- Specifications**
- Features
- Info & Guides
- Reviews

## Specifications

Overview	
<b>Total Capacity:</b>	4.6 Cu. Ft.
<b>Can Storage Capacity:</b>	138 12 oz. Cans
<b>Door Color:</b>	Stainless Steel
<b>Cabinet Color:</b>	Black
<b>Window Type:</b>	Tinted Glass
<b>Reversible Door:</b>	Yes
<b>Control Type:</b>	Electronic
<b>Display:</b>	LED
<b>Interior Lighting:</b>	LED
<b>Shelves:</b>	3 Adjustable Glass
Dimensions and Weight	
<b>Overall Width:</b>	21 1/2"
<b>Overall Depth:</b>	24 1/2"
<b>Overall Height:</b>	34"
<b>Electrical Requirements:</b>	120V/15A
<b>Shipping Weight:</b>	101 Lbs.



# SAVINGS CENTER

UP TO **40% OFF**

[Shop Now](#)

[Home](#) > [Refrigeration](#) > [Refrigerators](#) > [Compact Refrigerators](#) > KDDC24CVS

[Quick Specs](#)

**Appearance**  
 Type : Built In  
 Style : Drawers  
 Size : Compact  
 Counter-Depth : Yes  
 Glass Door : No  
 Freezer : Yes  
 Undercounter : Yes  
 Door Finish : Smooth  
 Accepts Custom Panels : No  
 Wine Racks (Category) : No  
 Door Color : Stainless Steel  
 Cabinet Color : Black

**Dimensions**  
 Width : 23 3/4"  
 Depth : 27"  
 Depth without Door and Handles : 22 1/2"  
 Depth without Handles : 24 3/4"  
 Height : 34 1/8"

**Capacity**  
 Refrigerator Capacity : 2.4 Cu. Ft.  
 Freezer Capacity : 2.4 Cu. Ft.  
 Total Capacity : 4.8 Cu. Ft.

**Refrigerator Features**  
 Adjustable Door Bins : No  
 Gallon Door Storage : No  
 Water Dispenser : No  
 Dairy Center : No  
 Clear Deli Drawer : No  
 Child Lock : No  
 Door Lock : No  
 Wine Bottle Holder : No  
 Can Dispenser : No  
 Digital Temperature Control : Yes  
 Sabbath Mode : No

**Freezer Features**  
 Defrost : Automatic  
 Ice Maker : Yes  
 Ice Dispenser : No  
 Quick Freeze : No

**Technical Details**  
 Energy Star Rated : No  
 CEE Rating : Not Available  
 ADA Compliant : No  
 Approved for Commercial Use : No  
 Approved for Outdoor Use : No



Roll over image to zoom in



Image disclaimer

Like 7 people like this. [Sign Up](#) to see what your friends like.

**KitchenAid**

Free Shipping

**KitchenAid Architect Series II KDDC24CVS**

24" Built-in Double Drawer Refrigerator/Freezer with 4.8 cu. ft. Capacity, Max Cool, Ice Maker, Interior LED Lights, Temperature Display and Electronic Controls: Stainless Steel

Your Price: **\$2,699.00**

10% Off  
Ends 4/10  
**-\$269.90**

Today's Price: **\$2,429.10**  
Lower Price in Cart - Ends Today!

Price Match Policy

Print

Share this item:



Qty:

Color Options

**Selected** Stainless Steel **\$2,429.10**

Companion Products, Options, and Accessories

KitchenAid  
KDDC24CVS



This item

Additional Options

Add

Refrigerator Water Filter - Quarter-Turn Non-Cyst Filter (4396701) [preview](#) **+ \$29.00**

[Accessories](#) | [Description](#) | [Energy Info](#) | [Specifications](#) | [Features](#) | [Info & Guides](#) | [Rebates](#) | [Reviews](#)

**Accessories**

Add [Stainless Steel Cleaner and Polish - 8 Oz.](#) **\$9.00**

**Description**

KitchenAid has spent decades creating innovative products for the well-equipped kitchen. From commercial grade cooktops and wine cellars to stand mixers and an impressive assortment of cookware, bakeware and accessories, they offer virtually every culinary essential you could need.

**Architect Series II**

Architect Series II appliances are an evolution of performance and intuitive design that was inspired by, and created for, those who love to cook and entertain. The timeless appearance of the Architect Series II comes in the form of robust contoured handles and knobs, rounded corners, and seamless stainless steel edges. Mouthwatering performance is reflected in adjustable settings, intuitive displays and control graphics, and complementary features designed to work together for a smooth cooking experience. Available at AJ Madison.

**Double-Drawer Refrigeration**

Amps : 15  
Voltage : 115 Volts

## Are You a Builder?

Contact us for volume discounts and special pricing

Get Quote



KitchenAid undercounter appliances support a lifestyle that revolves around entertaining. With various performance and placement options, there's a stylish choice for any room.

Refrigerator/freezer drawer, double-freezer drawer, and double-refrigerator drawer configurations meet your needs for additional storage space in the kitchen or other areas of the home such as an office or family room.

## Energy Info

This refrigerator uses **446 kWh/yr** and has an estimated yearly operating cost of **\$49.46**.

Your operating costs will depend on your utility rates and use. The estimated operating costs is based on a 2011 national average electricity cost of \$0.1109 cents per kWh. For more information, visit [www.ftc.gov/appliances](http://www.ftc.gov/appliances).

## Specifications

Capacity	Total Volume: 4.8 Cu. Ft.
	Upper Drawer: 2.4 Cu. Ft.
	Lower Drawer: 2.4 Cu. Ft.
Performance	ENERGY STAR Qualified: No
	Independently Controlled Drawers: Yes
	Numeric Electronic Controls: Yes
	Temperature Display: Yes
	Max Cool: Yes
	Max Freeze: No
	Open Door Alarm: Yes
	Control Lockout: Yes
	Water Filter Indicator: Yes
	AquaSense Base-Grille Filtration System: Yes, Filtered by PuR
	Ice Maker: Automatic
	Interior LED Lights: Yes
	SatinGlide Full Extension Drawers: Yes
	Ice Bucket: Removable
	Frost-Free Design: Yes
	Holiday/Sabbath Mode: Yes
Craftsmanship	Magnetic Door Gasket: Yes
	Leveling Legs: Adjustable
	Installation Type: Undercounter or Freestanding
Dimensions	Overall Width: 23 3/4"
	Overall Depth: 27"
	Overall Height: 34 1/8" to 34 3/4"
	Cutout Width: 24" Min.
	Cutout Depth: 24" Min.
	Cutout Height: 34 3/8" Min. to 35" Max.

## Features

- The refrigerator and freezer drawers provide additional storage options in the kitchen or other areas of the home. At AJ Madison.
- Electronic controls with display provide the ability to independently adjust temperatures.
- 24" width allows the drawers to fit into standard openings.
- Base-grille filtration system reduces water impurities and doesn't compromise freezer space.
- Factory-installed automatic ice maker ensures a constant supply of ice on hand at all times.
- Interior LED lights provide a clear view of items.

## Info & Guides

[Owners Manual](#)

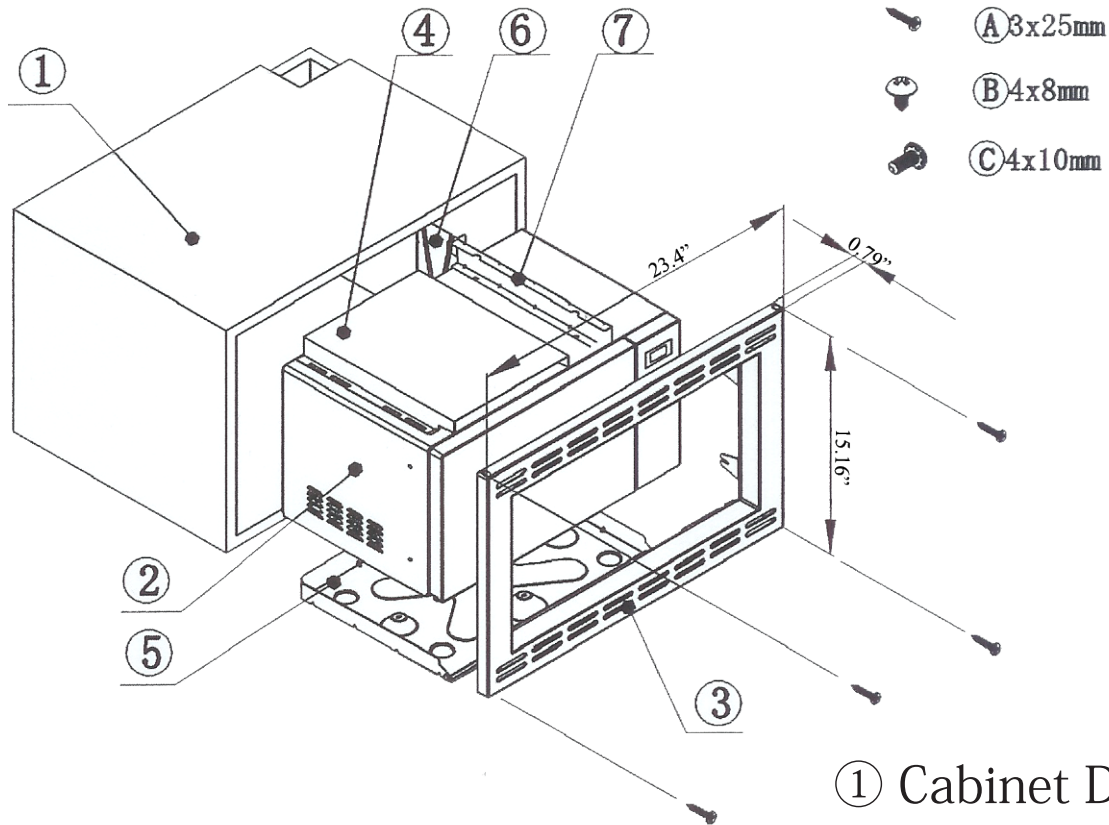
[Energy Guide](#)

[Warranty](#)

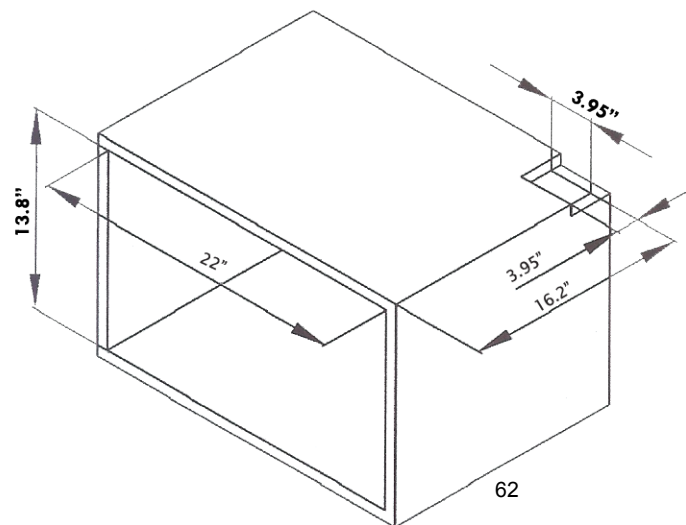
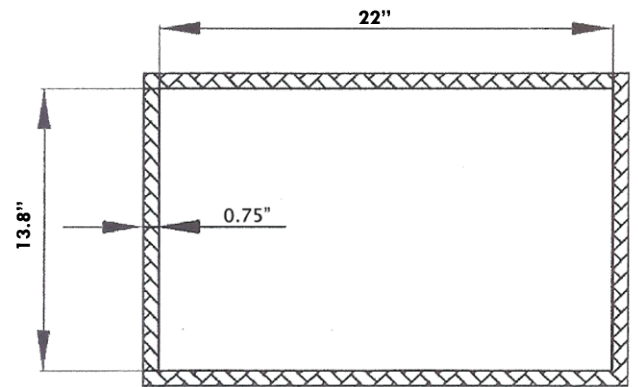
# INSTALLATION MANUAL

## OTR24

### Built-in Microwave



### ① Cabinet Dimensions



Label	Name	Quantity
1	Cabinet	1
2	Microwave Oven	1
3	Front Grill	1
4	Upper Exhaust Guide	1
5	Lower Exhaust Guide	1
6	Rear Vent Shield	1
7	Top Vent Shield	1
Ⓐ	Screw 3x25mm	4
Ⓑ	Screw 4x8mm	12
Ⓒ	Screw 4x10mm	4

# Built-In Microwave Oven

500 Series – Stainless Steel HMB5051



**HMB5051**  
Stainless Steel

Also available in:  
Black HMB5061

**Built-In microwave design matched for use in combination with Bosch wall oven.**

## Features & Benefits

Large Cooking Interior Gives You More Flexibility in What Types of Dishes You Can Cook

Built For Speed and Convenience With 1200 Watts of Microwave Cooking Power

Convenient Automatic Sensor Programs Simplify Cooking for Great Results Every Time

## General Properties

Cavity color White

Max. microwave power (W) 1,200 W

## Capacity

Cavity capacity (cu. ft.) 2.1 cu. ft.

Turntable diameter (in.) 16 1/2"

## Technical Details

Watts (W) 1,460 W

Circuit breaker (A) 20 A

Volts (V) 120 V

Frequency (Hz) 60 Hz

Power cord length (in) 41 5/16"

Plug type 120V-3 prong



## Dimensions & Weight

Overall appliance dimensions (HxWxD) (in) 14" x 23 7/8" x 19 7/16"

Required cutout size (HxWxD) (in) 19 7/8" X 25 7/16" – 28 7/16" X 21"

Net weight (lbs) 34 lbs

## Accessories—Included

Included Glass turntable

## Accessories—Optional



**HMT5751**  
27" Stainless steel trim kit



**HMT5051**  
30" Stainless steel trim kit

For help and assistance with Bosch accessories please visit: [www.bosch-eshop.com/eshop/bosch/us](http://www.bosch-eshop.com/eshop/bosch/us) or call 1-800-944-2904 Mon-Fri 5am to 6pm PST Sat 6am to 3pm PST

Notes: All height, width and depth dimensions are shown in inches. Please refer to installation instructions prior to making cutout. BSH reserves the absolute and unrestricted right to change product materials and specifications, at any time, without notice. Consult the product's installation instructions for final dimensional data and other details. Applicable product warranty can be found in accompanying product literature or you may contact your account manager for further details.

Warranties: Bosch warrants that the Product is free from defects in materials and workmanship for a period of three hundred and sixty-five (365) days from the date of purchase. The foregoing timeline begins to run upon the date of purchase, and shall not be stalled, tolled, extended, or suspended, for any reason whatsoever. This Product is also warranted to be free from cosmetic defects in material and workmanship (such as scratches of stainless steel, paint/porcelain blemishes, chip, dents, or other damage to the finish of the Product, for a period of thirty (30) days from the date of purchase or closing date for new construction. This cosmetic warranty excludes slight color variations due to inherent differences in painted and porcelain parts, as well as differences caused by kitchen lighting, product location, or other similar factors. This cosmetic warranty specifically excludes any display, floor, "As Is", or "B" stock appliances.

For more information on our entire line of products, go to [www.bosch-home.com/us](http://www.bosch-home.com/us) or call 1-800-944-2904

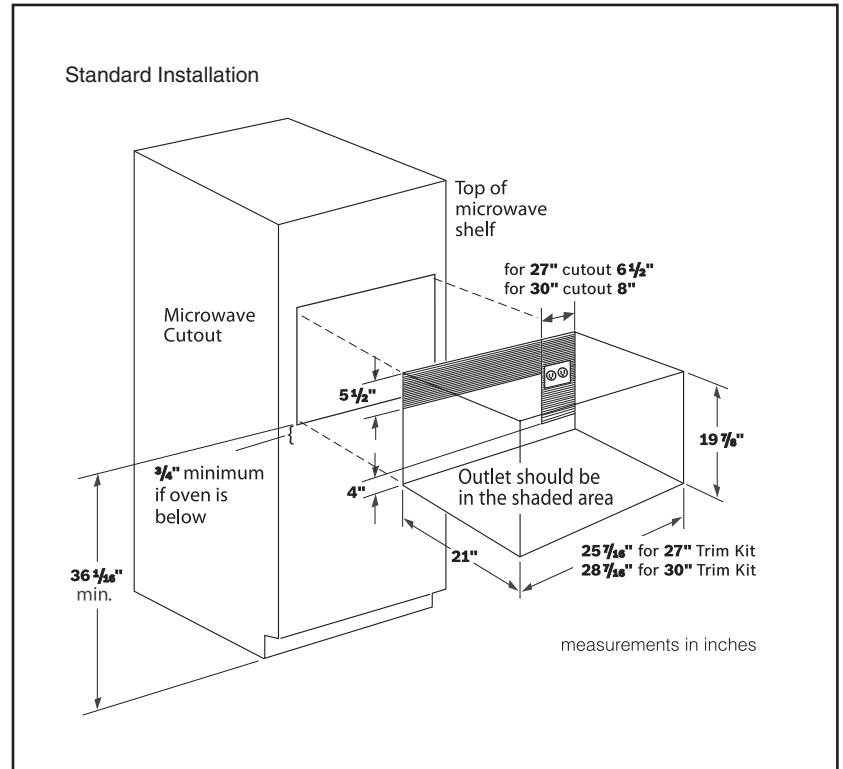
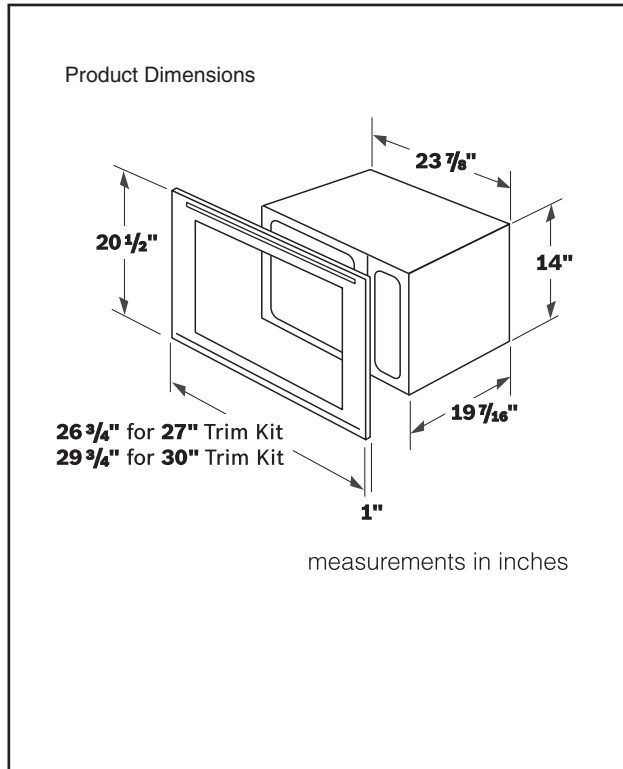
© BSH Home Appliances Corporation. All rights reserved. Bosch is a registered trademark of Robert Bosch GmbH.

# Built-In Microwave Oven

500 Series – Stainless Steel HMB5051



## Installation Details



For help and assistance with Bosch accessories please visit: [www.bosch-eshop.com/eshop/bosch/us](http://www.bosch-eshop.com/eshop/bosch/us) or call 1-800-944-2904 Mon-Fri 5am to 6pm PST Sat 6am to 3pm PST

Notes: All height, width and depth dimensions are shown in inches. Please refer to installation instructions prior to making cutout. BSH reserves the absolute and unrestricted right to change product materials and specifications, at any time, without notice. Consult the product's installation instructions for final dimensional data and other details. Applicable product warranty can be found in accompanying product literature or you may contact your account manager for further details.

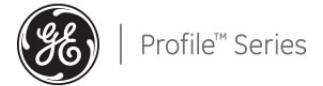
Warranties: Bosch warrants that the Product is free from defects in materials and workmanship for a period of three hundred and sixty-five (365) days from the date of purchase. The foregoing timeline begins to run upon the date of purchase, and shall not be stalled, tolled, extended, or suspended, for any reason whatsoever. This Product is also warranted to be free from cosmetic defects in material and workmanship (such as scratches of stainless steel, paint/porcelain blemishes, chip, dents, or other damage to the finish of the Product, for a period of thirty (30) days from the date of purchase or closing date for new construction. This cosmetic warranty excludes slight color variations due to inherent differences in painted and porcelain parts, as well as differences caused by kitchen lighting, product location, or other similar factors. This cosmetic warranty specifically excludes any display, floor, "As Is", or "B" stock appliances.

For more information on our entire line of products, go to [www.bosch-home.com/us](http://www.bosch-home.com/us) or call 1-800-944-2904

© BSH Home Appliances Corporation. All rights reserved. Bosch is a registered trademark of Robert Bosch GmbH.



# GE Profile Series Over-the-Range Oven with Advantium® Technology



Model# PSA9240SFSS



- Speedcook oven (240) - Enjoy oven-quality results two- to eight- times faster than a conventional oven
- Multiple cooking functions - Expand your cooking versatility with an all in one oven
- Halogen heat - Skip the preheating with nearly instantaneous halogen heat
- Over 175 preprogrammed menu selections - Preprogrammed selections make meals easy
- Custom Recipe Saver - Conveniently store cooking instructions for up to 30 different recipes
- Backlit controls - Controls are easy to read by displaying highly visible LCD readouts
- - Speedcooking grill tray
- Three-speed, 300-CFM venting system - Quickly moves smoke and steam up from the cooktop

## FEATURES

Control Type	Dial Glass Touch
Cooking Modes	Microwave Speedcook Convection Broil Warm Proof
Cooking Technology	Advantium
Style	Over-The-Range
Cooktop Lighting	Bright/Night/Off Auto Night Light
Defrost Type	Auto / Time / Food / Quick Defrost
Exhaust Fan	Hi/Med/Low/Off
Intake Air/Grease Filter	Yes
Interior Oven Light	Yes
Power Levels	10
Program Cooking	Over 175 Programmed Menu Selections
Baking/Speed Cook Pan	Non-Stick
Grill Pan	Yes
Rack Type	2 Wire Oven Racks; 2 Positions
Turntable	Glass
Turntable Size	13.5
Control Features	Back Start/Pause Help Cancel/Off Lock Controls Speedcook Convection Bake Microwave Settings Options Add 30 Seconds Timer On/Off Surface Light Vent Fan
Microwave Oven Interior	Stainless Steel
Microwave Watts (IEC-705)	975.0

Have more questions? Please contact 1-800-626-2005

# GE Profile Series Over-the-Range Oven with Advantium® Technology



Model# PSA9240SFSS

## APPROXIMATE DIMENSIONS (HxDxW)

- 16 1/4 in x 15 1/2 in x 29 7/8 in

## CAPACITY

- Total Capacity (cubic feet) 1.7 cu ft
- Vent CFM 300

## WARRANTY

- Parts Warranty - Limited 1-year entire appliance
- Labor Warranty - Limited 1-year entire appliance
- Warranty Notes - See written warranty for full details

Have more questions? Please contact 1-800-626-2005

condensation on windows?  
bathroom mold growth?  
noisy bath/kitchen fans?

## Efficient, Quiet Exhaust Ventilation For A Healthy Home

  
**Ultra-Aire™**  
**QUIET-VENT**



P/N 4019663

- **2-Speed Fan with Timer**
- **Extremely Quiet Operation**
- **Powerful Ventilation**

### EFFECTIVE AND EFFICIENT VENTILATION

The Ultra-Aire™ Quiet-Vent™ is a central exhaust ventilation system that replaces noisy, low output and unreliable bath fans. With today's tight homes, Ultra-Aire™ Quiet-Vent™ presents one of the best ways to eliminate pollutants (i.e. normal household chemicals, outgassing from construction materials, furniture and carpeting) by exhausting them out of the home. Quiet-Vent also can reduce humidity levels that otherwise lead to mildew in closets, condensation on windows, insulation and walls which, over just a few years, can cause costly damage.

Exhaust ventilation is the most effective way to ventilate your home.\* By slightly depressurizing the house, exhaust ventilation prevents moisture from penetrating and damaging the structure. Therma-Stor makes the best even better by including a programmable seven day lifestyle timer on every unit. This assures ventilation when you need it and guards against wasteful ventilation of an empty house. Ventilation rates may be adjusted to provide the correct air flow rate for a variety of home and family sizes. Quiet-Vent replaces the need for noisy bath fans when ducted with bathroom intakes and optional crank-style timers.

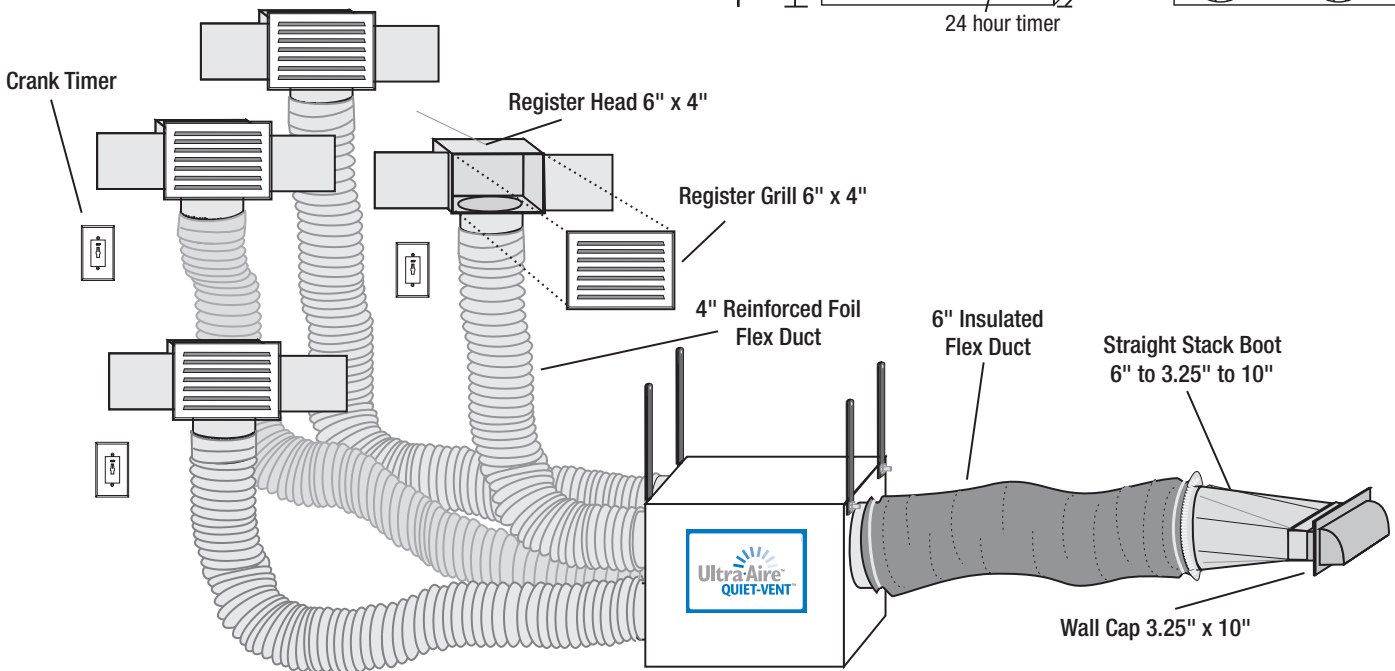
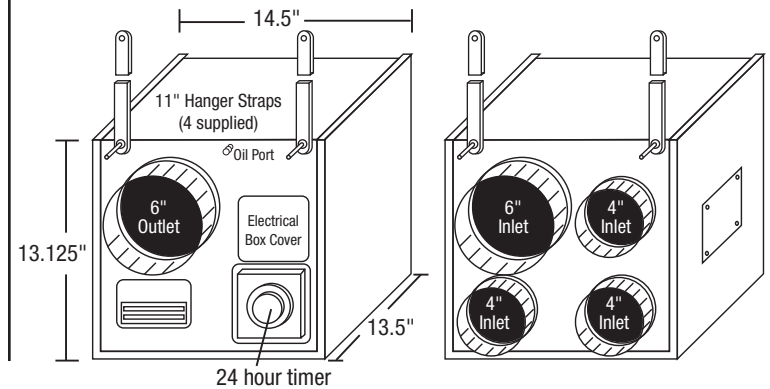
\* Lawrence Berkley Laboratory compared the performance of exhaust ventilation with air to air heat exchangers in five different climates, and found that exhaust ventilation provides better indoor air quality.

# Ultra-Aire Quiet Vent Specifications

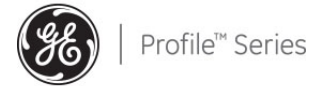
<b>PART NUMBER:</b>	4019663
<b>FAN MOTOR:</b>	2 speed, 115 volts, 60 hertz 1.7 amps, thermally protected 95 watts/high speed; 50 watts/low speed (115 volt 10 amp circuit required)
<b>FAN CAPACITY:</b>	.4" W.G. high speed 295 CFM .3" W.G. low speed 165 CFM
<b>TIMER:</b>	7-day timer; 2 hour intervals (controls low speed)
<b>REMOTE CONTROL CIRCUIT:</b>	115 volt (controls high speed), Prewired relay (included).Crank timer (order separately)
<b>INLET DUCTS:</b>	Three 4" and one 6"
<b>OUTLET DUCT:</b>	Single 6"
<b>FILTER:</b>	Metal screen (cleanable)
<b>SOUND LEVEL:</b>	Less than 1 sone at exhaust grill
<b>HANGERS:</b>	4 vibration absorbing 1 1/2" x 11" nylon reinforced rubber.
<b>WEIGHT:</b>	30 lbs.
<b>DIMENSIONS:</b>	14 1/2" (W) X 13 1/2" (L) x 13 1/8" (H)

## 4 PICKUP PACKAGE AND ACCESSORIES

4023349	4 pickup package. Includes 1-each: Ultra-Aire Quiet Vent, Wall Cap, Boot, Reducer and 6" x 25' Insulated Flex Duct, plus 4-each: register heads, grilles, timers and 4" foil flex duct.
4020124	Wall Cap
4020119	Boot
4020128	6" x 25' Insulated Flex Duct
4020117	4 each – Register Heads
4020126	4 each – Grilles
4020116	4 each – Crank Timers (standard white)
4020129	4 each – 4" foil flex



# GE Profile™ Series 36" Designer Hood



Model# JV966DSS



## FEATURES

Control Location	Hidden
Cooktop Lighting	Dual Halogen
Ducting	Vertical Only
Exhaust Options	7" Round Duct
Fan Speed Control	4-Speed
Filter Cleaning	Dishwasher Safe
Removable Grease Filter(s)	Yes
CFM/ Sones Rating	590/ 7.5 (High Speed) 160/ 0.4 (Working Speed)
Light Controls	Off/High/Night

- 590-CFM venting system - Helps effectively remove smoke, grease, odors and moisture
- Four-speed fan control - Helps draw smoke, grease, odors and moisture out of the kitchen air
- Vertical exhaust - Exhausts from the top of the hood
- Dual halogen cooktop light - Illuminates the cooking surface
- Night light - Soft light at night
- Removable grease filter - Collects grease and removes for easy cleaning

Have more questions? Please contact 1-800-626-2005

# GE Profile™ Series 36" Designer Hood



Model# JV966DSS

## APPROXIMATE DIMENSIONS (HxDxW)

- 18 in x 21 in x 36 in

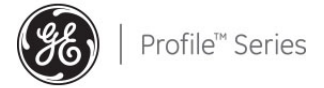
## WARRANTY

- Labor Warranty - Limited 1-year entire appliance
- Parts Warranty - Limited 1-year entire appliance
- Warranty Notes - For models produced on or after January 1, 2006

See written warranty for full details

Have more questions? Please contact 1-800-626-2005

# GE Profile™ Series 36" Island Hood



Model# PV977NSS



## FEATURES

Control Location	Hidden
Cooktop Lighting	Dual Halogen
Ducting	Vertical Only
Exhaust Options	Vented to Outside Recirculating
Fan Speed Control	4-Speed
Filter Cleaning	Dishwasher Safe
Removable Grease Filter(s)	Yes
8" Round Duct	Yes
CFM/ Sones Rating	450/ 7.0 (High Speed) 210/ 1.5 (Working Speed)
Light Controls	Off/High/Night

- 450-CFM venting system - Helps effectively remove smoke, grease, odors and moisture
- Push-button controls - Are easy to see and easy to use
- Variable speed fan control - Helps draw smoke, grease, odors and moisture out of the kitchen air
- Vertical exhaust - Exhausts from the top of the hood
- Dual halogen cooktop light - Illuminates the cooking surface
- Night light - Soft light at night
- Dishwasher safe filter - Filters grease and is dishwasher-safe

Have more questions? Please contact 1-800-626-2005

# GE Profile™ Series 36" Island Hood



Model# PV977NSS

## **APPROXIMATE DIMENSIONS (HxDxW)**

- 3 1/8 in x 27 5/8 in x 35 7/8 in

## **WARRANTY**

- Labor Warranty - Limited 1-year entire appliance
- Parts Warranty - Limited 1-year entire appliance
- Warranty Notes - See written warranty for full details

Have more questions? Please contact 1-800-626-2005



# Whirlpool® Undercounter Dishwasher

## PRODUCT MODEL NUMBERS

GU3000XTX	WDF775SAY	WDT910SAY
GU3200XTX	WDF780SLY	WDT910SSY
GU3600XTV	WDL785SAA	WDT920SAD
WDF750SAY	WDT790SAY	
WDF760SAD	WDT790SLY	

**Electrical Requirements:** 120-volt, 60-Hz, AC-only, 15- or 20-amp. fused electrical supply. Copper wire only. A timedelay fuse or circuit breaker and separate circuit is recommended.

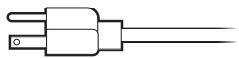
**If direct wiring dishwasher:** Use flexible, armored or nonmetallic, sheathed copper wire with grounding wire that meets the wiring requirements for your home and local codes and ordinances.



Use a U.L.-listed or CSA-approved conduit connector.

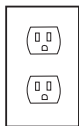
**If connecting dishwasher with a power supply cord:**

Use Power Supply Cord Kit (Part No. 4317824) marked for use with dishwashers. Follow the kit



instructions for installing the power supply cord.

Power supply cord must plug into a grounded three-prong, outlet, located in the cabinet next to the dishwasher opening. Outlet must meet all local codes and ordinances.



**Water Supply Requirements:** A hot water line with 20 to 120 psi (138 to 862 kPa) water pressure. Water temperature must be 120°F (49°C) water at dishwasher. Use 3/8" O.D. copper tubing with compression fitting or flexible braided water supply line (1/2" minimum plastic tubing is not recommended). Use a 90° elbow with 3/4" N.P.T. external pipe threads on one end. Do not solder within 6" (15.2 cm) from water inlet valve.

**Drain Requirements:** A new drain hose is supplied with your dishwasher. If this is not long enough, use a new drain hose with a maximum length of 12' (3.7 m) (Part No. 3385556) that meets all current AHAM/IAPMO test standards, is resistant to heat and detergent, and fits the 1" (2.5 cm) drain connector of the dishwasher.

Make sure to connect the drain hose to waste tee or disposer inlet above drain trap in house plumbing and 20" (50.8 cm) minimum above the floor. It is recommended

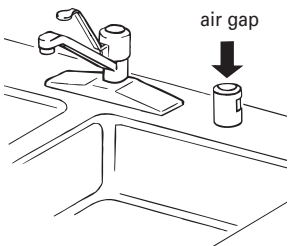
that the drain hose either be looped up and securely fastened to the underside of the counter, or be connected to an air gap.

Make sure to use an air gap if the drain hose is connected to house plumbing lower than 20" (50.8 cm) above subfloor or

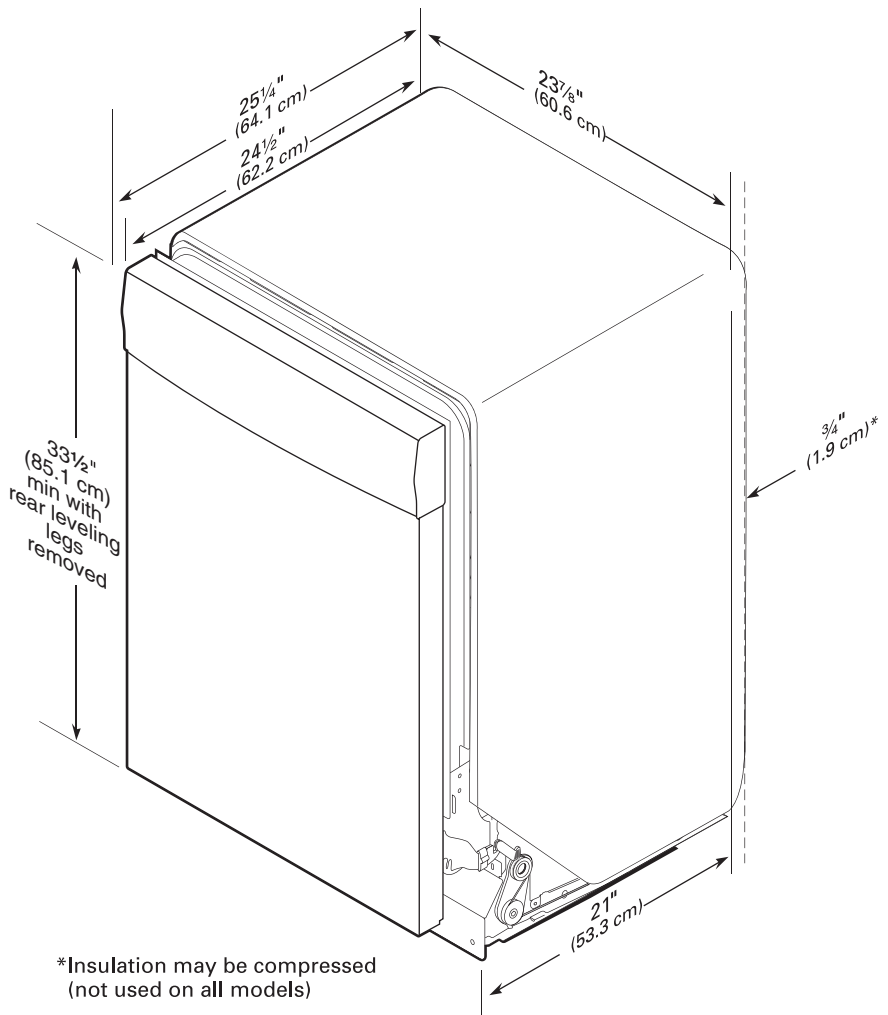
floor.

Use 1/2" (1.3 cm) minimum I.D. drain line fittings.

If required, the air gap should be installed in accordance with the air gap installation instructions. When connecting the air gap a rubber hose (not provided) will be needed to connect to the waste tee or disposer inlet.



## PRODUCT DIMENSIONS

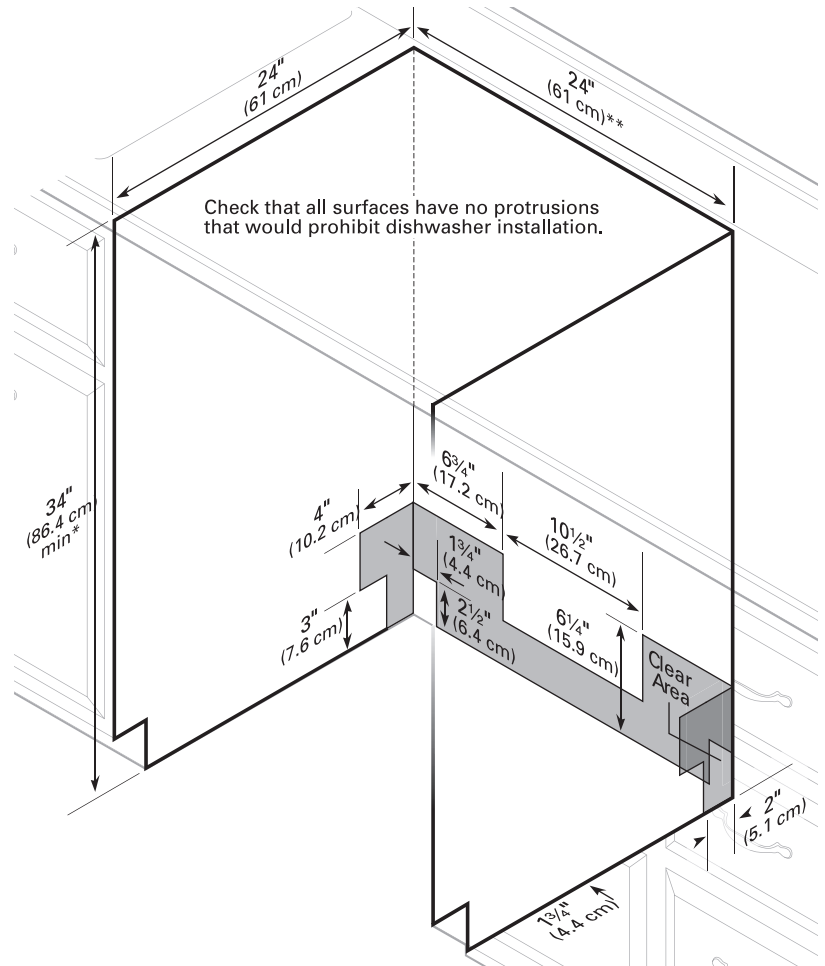


## CABINET CUTOUT DIMENSIONS

**NOTE:** Shaded areas of cabinet walls show where utility connections may be installed.

\*Measure from the lowest point on the underside of the countertop. May be reduced to 33½" (85.1 cm) by removing the rear leveling legs from dishwasher.

\*\*Minimum, measured from narrowest point of opening.



# 24" Bar Handle Dishwasher

800 Series – Stainless Steel SHX68T55UC



**SHX68T55UC**  
Stainless Steel

Also available in:

White SHX68T52UC

Black SHX68T56UC

**The new 3rd rack now offers 30% more loading area. Perfect for ramekins, cooking utensils and extra-long silverware.**

## Features & Benefits

44 dBA: Quietest dishwasher brand.

New 3rd rack adds versatility and offers 30% more loading capacity.

Touch Control Technology allows for quick cycle programming.

InfoLight® shines on the floor so you know the dishwasher's running.

RackMatic® offers 3 height levels, for 9 possible rack positions.

## General Properties

Number of wash cycles	6
Number of options	5
dBA	44
Third rack	Standard
Rack adjustability	RackMatic®
Tub material	Stainless steel
Control type	Touch Control
Concealed heating element	Yes
Leak protection system	24/7 AquaStop®
Water softener	No
Five-level wash	Yes
ChildLock	No
Special features	InfoLight®, Eco Cycle

## Efficiency

Water usage per cycle	2.9
Energy efficiency class	Tier 1
ENERGY STAR® qualified	Yes
Total annual energy consumption (kWh)	259
Total annual water consumption (g)	624

## Capacity

Number of place settings	16
--------------------------	----

## Technical Details

Watts (W)	1300 W
Current (A)	12 Amps
Volts (V)	120 V
Frequency (Hz)	60 Hz
Power cord length	56 5/16"
Minimum water pressure (lb/sin)	14
Length inlet hose (in)	60"
Length outlet hose (in)	79"

## Dimensions & Weight

Overall appliance dimensions (HxWxD) (in)	33 7/8" x 23 9/16" x 23 3/4"
Required cutout size (HxWxD) (in)	33 7/8" x 23 5/8" x 24"
Adjustable feet	Yes
Net weight (lbs)	91 lbs

## Accessories—Optional

Dishwasher Supply and Drainage Hose Extension 76 3/4"	SGZ1010UC
Dishwasher 3-Prong Power Cord 66 7/8"	SMZPC002UC
Dishwasher Accessory Kit	SMZ5000
Duo-Flex Silverware Basket	SMZ4000UC



For help and assistance with Bosch accessories please visit: [www.bosch-eshop.com/eshop/bosch/us](http://www.bosch-eshop.com/eshop/bosch/us) or call 1-800-944-2904 Mon-Fri 5am to 6pm PST Sat 6am to 3pm PST

Notes: All height, width and depth dimensions are shown in inches. Please refer to installation instructions prior to making cutout. BSH reserves the absolute and unrestricted right to change product materials and specifications, at any time, without notice. Consult the product's installation instructions for final dimensional data and other details. Applicable product warranty can be found in accompanying product literature or you may contact your account manager for further details.

Warranties: Bosch warrants that the Product is free from defects in materials and workmanship for a period of three hundred and sixty-five (365) days from the date of purchase. The foregoing timeline begins to run upon the date of purchase, and shall not be stalled, tolled, extended, or suspended, for any reason whatsoever. This Product is also warranted to be free from cosmetic defects in material and workmanship (such as scratches of stainless steel, paint/porcelain blemishes, chip, dents, or other damage to the finish of the Product, for a period of thirty (30) days from the date of purchase or closing date for new construction. This cosmetic warranty excludes slight color variations due to inherent differences in painted and porcelain parts, as well as differences caused by kitchen lighting, product location, or other similar factors. This cosmetic warranty specifically excludes any display, floor, "As Is", or "B" stock appliances.

For more information on our entire line of products, go to [www.bosch-home.com/us](http://www.bosch-home.com/us) or call 1-800-944-2904

© BSH Home Appliances Corporation. All rights reserved. Bosch is a registered trademark of Robert Bosch GmbH.

Shop ▾

Ideas & How-Tos ▾

Savings ▾

MyLowe's

Home : Appliances : Dishwashers : Built-In Dishwashers :

Need Help? Print

Whirlpool Gold 51-Decibel Built-In Dishwasher (Monochromatic Stainless Steel)

(Common: 24-in; Actual: 23-in) ENERGY STAR



**Whirlpool Gold 51-Decibel Built-In Dishwasher (Monochromatic Stainless Steel) (Common: 24-in; Actual: 23-in) ENERGY STAR**

Item #: 625601 | Model #: WDT720PADM

★★★★★ 974 Reviews

Need this dishwasher installed? Lowe's can help, simply call 1-866-678-2761 prior to purchase

Save Item



Set a Reminder



[Go to Your Account ▶](#)

**Related Items**



Whirlpool 5-Burner Freestanding 5.8-cu ft...

★★★★★



Whirlpool 20.6-cu ft Counter-Depth...

★★★★★



EASTMAN 8-Ft 1800 Psi Stainless Steel...

★★★★★

- Description
- Specifications
- Info & Guides
- Reviews
- Community Q&A

[Got an update or addition to this product's details? Share it here.](#)

Gold 51-Decibel Built-In Dishwasher (Monochromatic Stainless Steel) (Common: 24-in; Actual: 23-in) ENERGY STAR

The AccuSense® soil sensor measures load size and soil level during the prewash, and the dishwasher adjusts to the right wash and dry settings throughout the wash cycle to deliver precise cleaning to your dishes

The 1-Hour Wash option will get dishes clean in about half the time

The AnyWare™ Plus silverware basket frees up rack space by easily fitting on the front of the lower rack or in the door to make room for more dishes

Silverware Spray helps remove stuck-on food, like peanut butter on knives and oatmeal on spoons, from your utensils by delivering a concentrated shower of water to the AnyWare™ Plus silverware basket to virtually eliminate rewashing

A triple filtration system to remove food particles and other soils helps the wash system provide outstanding cleaning while using less water and energy

Sani Rinse option sanitizes dishes by eliminating 99.999% of food soil bacteria, as certified by NSF International

Manually raise or lower the upper rack to better fit tall or odd-shaped items in either rack

1-24 hour delay wash option allows you to set the dishwasher to start at a more convenient time

Designed, engineered, and assembled in the USA

[Got an update or addition to this product's details? Share it here.](#)

Lowe's Exclusive	No	Quick Wash Cycle	Yes
Manufacturer Color/Finish	Monochromatic Stainless Steel	Rinse and Hold Cycle	No
CEE Tier Qualified	CEE Tier I	Unique or Exclusive Cycle	Silverware Spray
Rack Material	Nylon	Number of Cycles	5
Tub Material	Plastic	Number of Wash Levels	5
Adjustable Upper Rack	Yes	Number of AHAM Place Settings	15
Rack Options	None	Sound Rating (Decibels)	51
Removable Top Rack	Yes	Cycle Status Lights	Yes
Fold-Down Tines	Upper rack only	Rinse Aid Dispenser Indicator	Yes

Removable Silverware Basket	Yes	Control Panel Color	Black
Silverware Basket Covers	Yes	Control Panel Style	Hidden
Stemware Holder	Yes	Control Type	Electronic
Air Dry	Yes	Custom Door Panel Color	Monochromatic Stainless Steel
Automatic Temperature Control	Yes	Custom Door Panels	No
Delay Wash	Yes	Tub Height	Tall
Delay Wash Time (Hours)	24	Fill and Drain Hose Included	Drain hose included; fill hose sold separately
Direct Feed	Yes	Power Cord Included	No
Hi-Temp Wash Option	Yes	Manufacturer's Warranty (Labor)	1-year limited
NSF Certified Sanitization Option	Yes	Manufacturer's Warranty (Parts)	1-year limited
Self-Cleaning Filter	No	Color/Finish Family	Steel-Stainless
Steam Option	No	CSA Safety Listing	No
1/2-Rack Wash Option	No	ETL Safety Listing	No
Targeted Scouring Module	No	UL Safety Listing	Yes
Targeted Silverware Wash Module	Yes	Appliance Color/Finish	Stainless steel
Wash System	Resource efficient	ADA Compliant	No
Wash System Type	Direct feed	Sound Rating Range	54 DBA - 45 DBA
Water Filtration	Yes	Sub-Brand	Gold
Control Lock/Child Lock	Yes	Series	N/A
Hard Food Disposer or Filtration	Filtration	Bottle Wash Feature	No
Sensor Wash Cycle	Yes	Actual Height (Inches)	34
Advanced Sensor Wash Cycle	No	Actual Width (Inches)	23
Gentle Wash Cycle	No	Actual Depth Including Handle (Inches)	26
Heated/Hi-Temp Dry	Yes	Actual Depth Excluding Handle (Inches)	24
Heavy/Pots and Pans Cycle	Yes	Actual Depth with Door Open (Inches)	49
Normal Cycle	Yes	Common Dishwasher Size	24 inch
Pre-Soak Cycle	Yes	ENERGY STAR Qualified	Yes
Quick Rinse Cycle	No		

## Product Documentation

Download these helpful files for this product.

Energy Guide  
 Installation Guide  
 Warranty Guide  
 Use & Care Guide  
 Dimensions Guide



To view these documents, you need Adobe Acrobat Reader. You can [download](#) a free copy from the Adobe web site.

Community Q&A

## Affiliated Websites

[Accessible Home](#)  
[ATG Stores](#)  
[Efficient Home](#)  
[Innovative Products](#)  
[Iris Smart Home](#)  
[Kobalt Tools](#)  
[Lowe's Build & Grow](#)  
[Lowe's Creative Ideas](#)  
[Lowe's Mobile Site](#)  
[Lowe's Moving Center](#)  
[Lowe's Plant Guide](#)  
[Lowe's Zone](#)

## Company Info

[About Lowe's](#)  
[Careers](#)  
[Ethics & Compliance](#)  
[Investor Relations](#)  
[Low Price Guarantee](#)  
[Lowe's Canada](#)  
[Lowe's Mexico](#)  
[Lowe's Newsroom](#)  
[Site Directory](#)  
[Social Responsibility](#)  
[Sustainability Policy](#)

## Customer Care

[Contact Us](#)  
[How's Our Site?](#)  
[Rebate Center](#)  
[Recalls & Product Safety](#)  
[Returns / Exchanges](#)  
[Shipping & Delivery](#)

## Services

[Credit Card Services](#)  
[Gift Cards](#)  
[GM Business Choice](#)  
[In-Store Services](#)  
[Installation Services](#)  
[International Customers](#)  
[Lowe's Protection Plans](#)  
[Lowe's Suppliers](#)  
[Recycling Center Locator](#)  
[Special Orders](#)



**Need Help?**  
**Customer Care:**  
 1-800-445-6937  
**Products & Sales:**  
 1-877-465-6937



**Save \$10 When  
 You Join Email  
 Alerts >**

# Stair Lift and Safety Features

## STAIR LIFT FEATURES



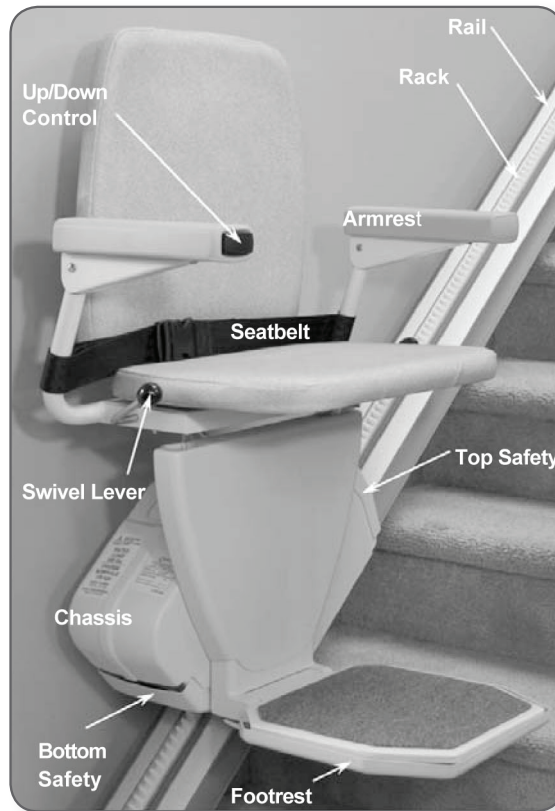
LED indicator light



Key lock (optional)



ON/OFF switch



Call/send unit



Manual hand crank



Charger (located at one end of the rail)

## SAFETY FEATURES

- There are sensitive edges on the top and bottom of the carriage, and the front, back and underside of the footrest. If any of these edges touches an obstruction the lift will halt immediately and the armrest LED indicator light will turn orange. The lift may only be driven away from the obstruction.
- An interlock on the swivel seat prevents the lift from being operated unless the seat is in its normal, locked position.
- The safety brake is always engaged.

## DEALER INFORMATION

Name: \_\_\_\_\_

Address: \_\_\_\_\_

\_\_\_\_\_

Telephone Number: \_\_\_\_\_

Email: \_\_\_\_\_

*If you have questions concerning the operation or maintenance of your stair lift, please contact your dealer.*

## TECHNICAL SPECIFICATIONS

<b>Weight capacity:</b>	350 lbs.
<b>Stair angles:</b>	32 - 52 degrees
<b>Return trips/charge:</b>	20 - 60
<b>Speed:</b>	19 ft/min.
<b>Shipping weight:</b>	Approx. 184 lb.
<b>Interchangeable arms:</b>	Yes
<b>Interchangeable side to side:</b>	Yes
<b>Power supply:</b>	24 VDC battery
<b>Charger input:</b>	110 VAC; 50 - 60 Hz
<b>Charger output:</b>	24 VDC; 2 Amps
<b>Drive system:</b>	Plastic worm/rack
<b>Rail:</b>	Extruded aluminum
<b>Plastic covers:</b>	ABS - flame retardant