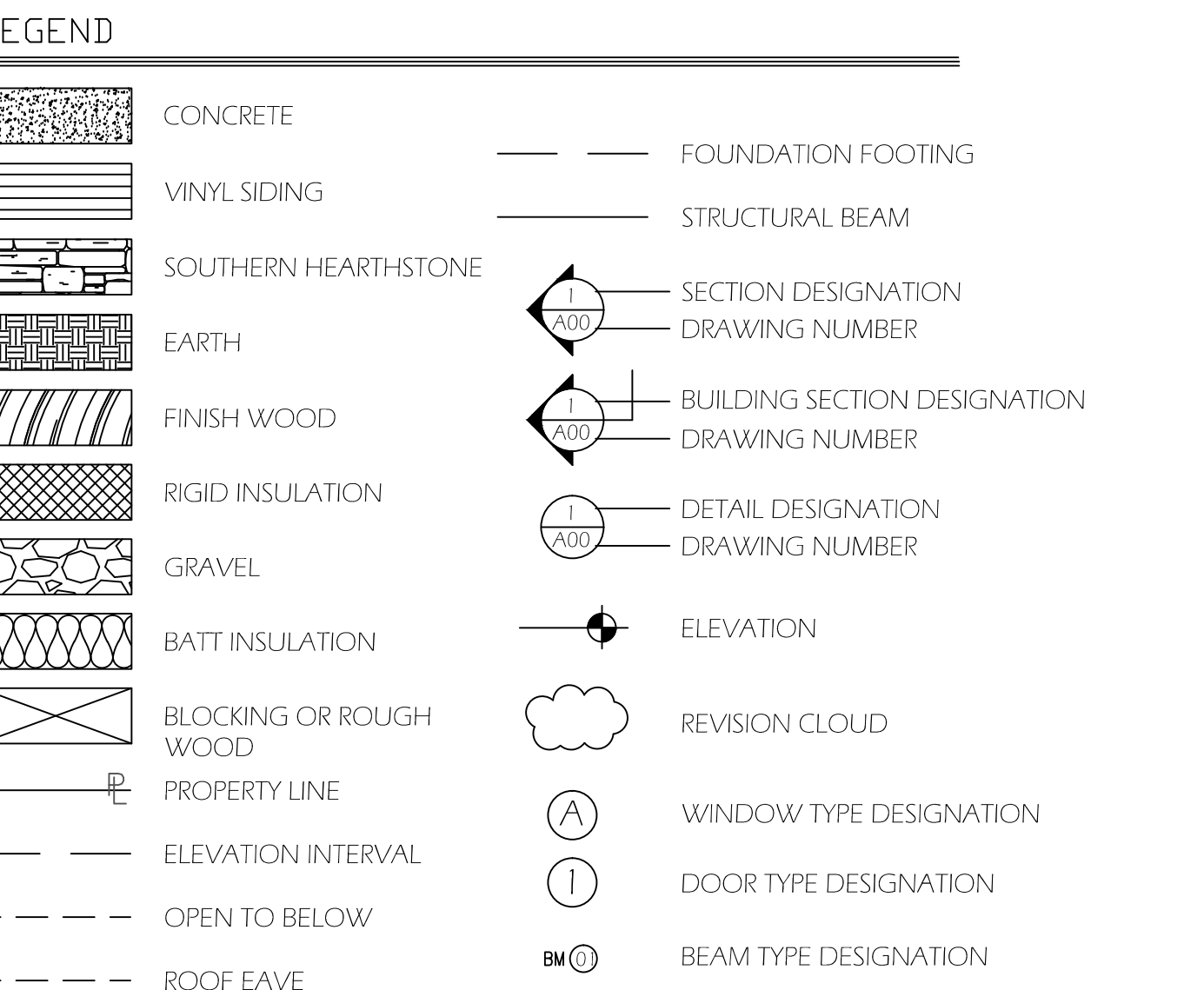
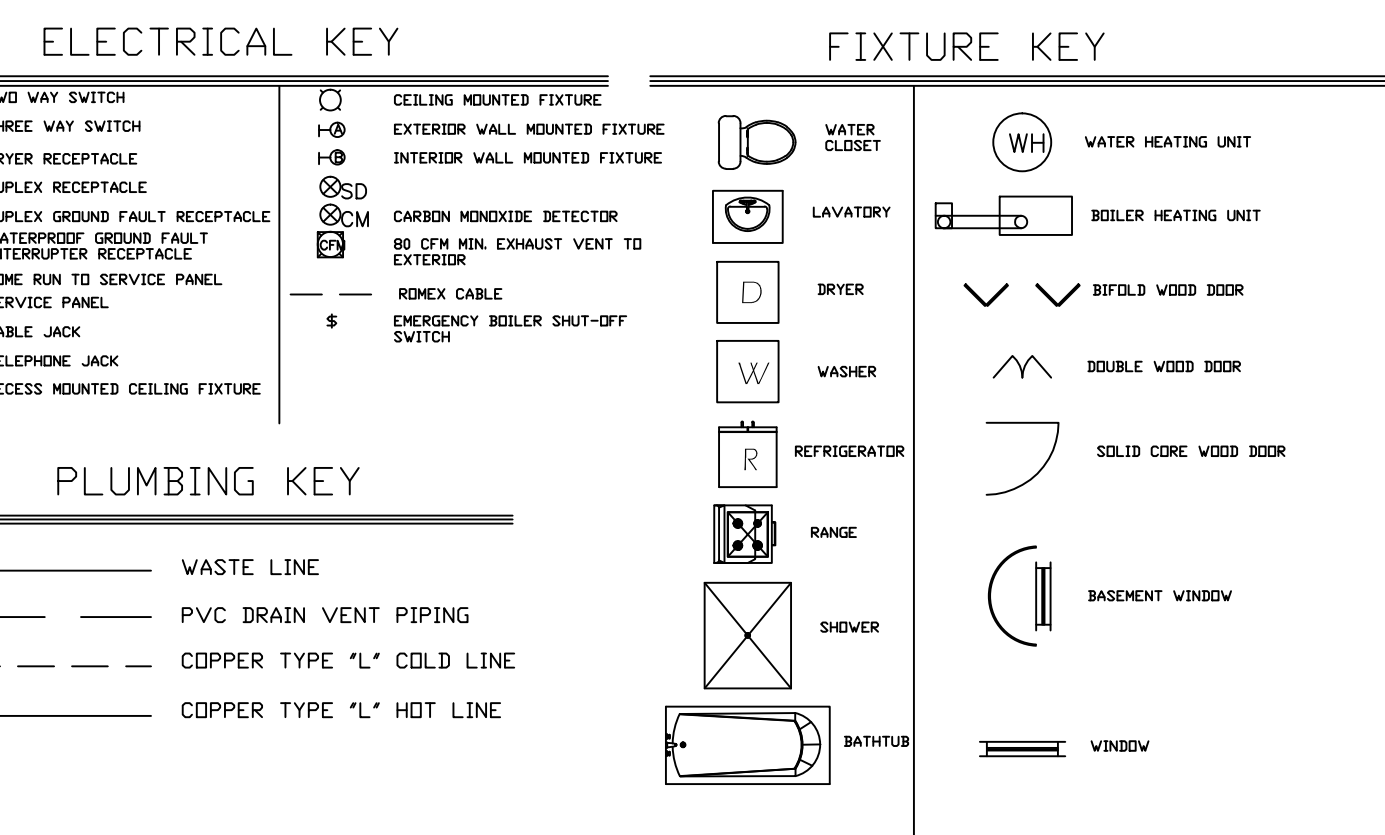


A 001 SITE PLAN
SCALE: 1" = 40'0"

GROUND SNOW LOAD ⁱ	WIND SPEED ^d (mph)	SEISMIC DESIGN CATEGORY ^c	SUBJECT TO DAMAGE FROM			ICE BARRIER UNDERLAYMENT REQUIRED ^g	FLOOD HAZARDS ^f
			Weathering ^a	Frost line depth ^b	Termite ^c		
20	110	B	SEVERE	3 FT	Mod./Heavy	YES	YES



GENERAL NOTES

THE CONSTRUCTION MANAGER, HEREAFTER REFERRED TO AS THE "CONTRACTOR" SHALL DO THIS WORK IN ACCORDANCE WITH LOCAL LAWS AND ORDINANCES. THE BUILDING PERMIT SHALL BE SECURED BY THE GENERAL CONTRACTOR, AND HE SHALL OBTAIN ALL OTHER PERMITS AND APPROVALS AS REQUIRED BY LAW FOR THE COMPLETION OF THE PROJECT.

THE WORK TO BE PERFORMED CONSISTS OF FURNISHING ALL LABOR, TOOLS, EQUIPMENT, TRANSPORTATION, SUPPLIES, FEES, MATERIALS, AND SERVICES IN ACCORDANCE WITH THESE NOTES AND DRAWINGS. IT IS INTENDED THAT THESE DRAWINGS CONTAIN ALL NECESSARY ITEMS TO FINISH THE ENTIRE WORK PROPERLY.

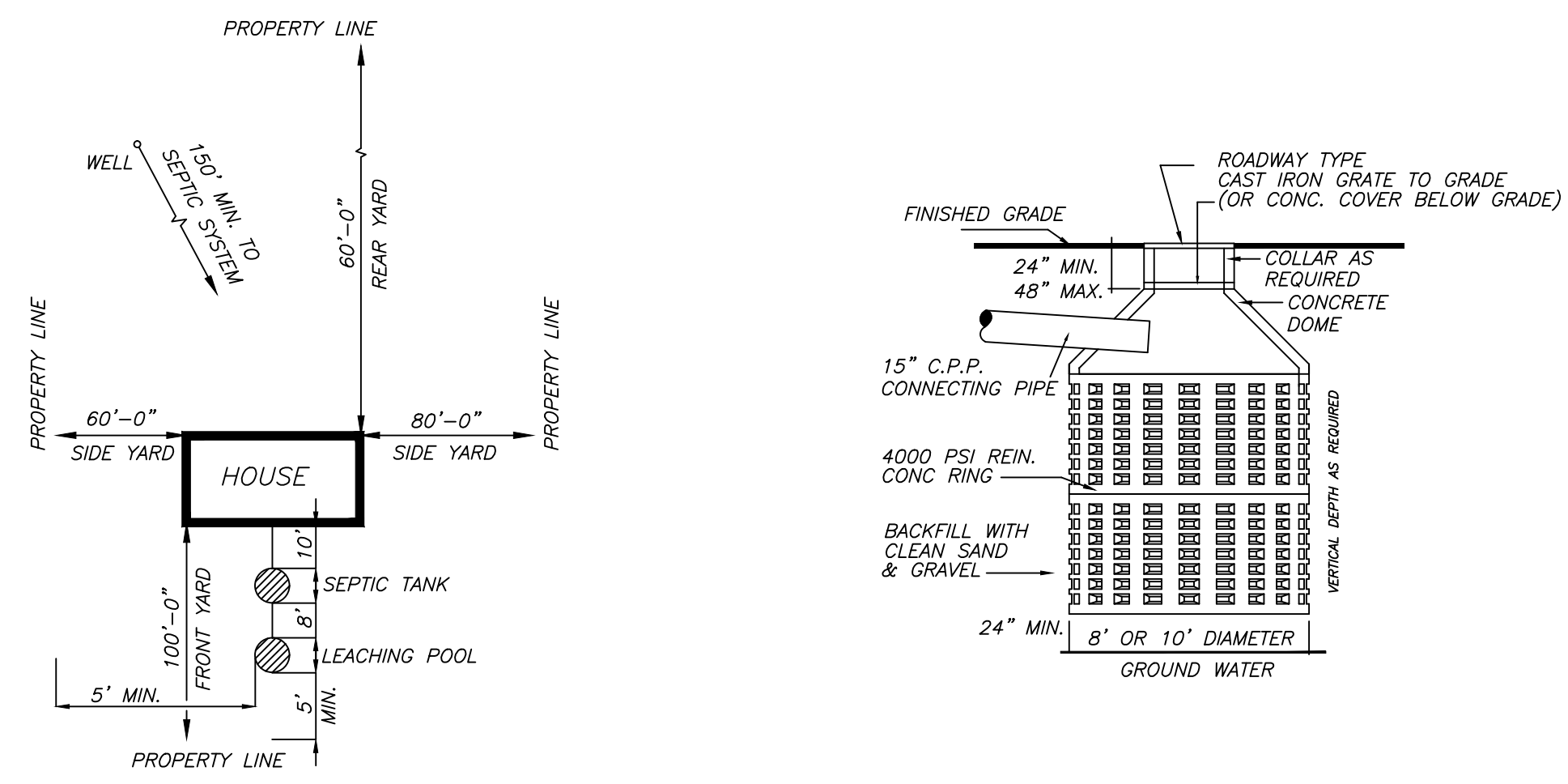
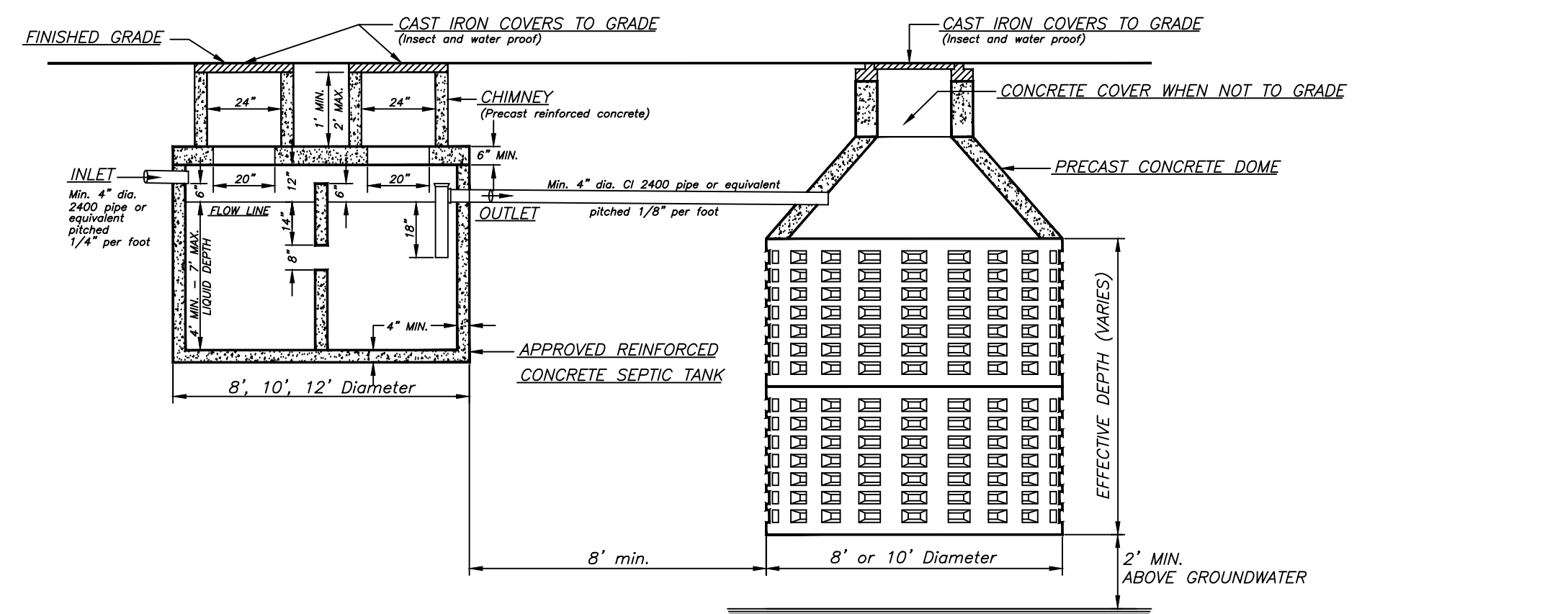
ANY WORK SHOWN OR DRAWN IN ANY ONE DRAWING SHEET SHALL BE PROVIDED AS THOUGH SHOWN ON ALL DRAWINGS. ANY ITEM SHOWN ON THE DRAWINGS SHALL BE CONSIDERED TYPICAL UNLESS OTHERWISE NOTED.

THE CONTRACTOR SHALL ABIDE BY AND COMPLY WITH THE TRUE INTENT AND MEANING OF THE DRAWINGS AND NOTES TAKEN AS A WHOLE AND SHALL NOT AVAIL HIMSELF OF ANY OBVIOUS ERRORS OR OMISSIONS, SHOULD ANY EXIST. ANY POSSIBLE ERRORS SHALL BE BROUGHT TO THE ARCHITECT'S ATTENTION BEFORE SUBMISSION OF PROPOSAL FOR EXPLANATION OR CORRECTION OF SAME.

FULL SIZE OR LARGE SCALE DETAILS OR DRAWINGS SHALL GOVERN SMALL SCALE DRAWINGS WHICH THEY ARE INTENDED TO AMPLIFY. DETAILS OR CONDITIONS INDICATED FOR A PORTION OF WORK BUT NOT CARRIED OUT FULLY FOR OTHER PORTIONS SHALL APPLY THROUGHOUT TO ALL SIMILAR PORTIONS EXCEPT AS OTHERWISE SPECIFICALLY NOTED.

THE CONTRACTOR SHALL SUBMIT ALL FABRICATION SHOP DRAWINGS, SAMPLES, AND FIXTURE CUTS FOR THE ARCHITECT'S REVIEW AS REQUIRED AND/OR INDICATED ON DRAWINGS.

THE PREMISES OF THE JOB SITE SHALL BE MAINTAINED IN A REASONABLY NEAT AND ORDERLY CONDITION AND KEPT FREE FROM ACCUMULATIONS OF WASTE MATERIALS AND RUBBISH DURING THE ENTIRE CONSTRUCTION PERIOD.



A 001 SEPTIC PLAN DETAIL
SCALE: N.T.S.

MARK	DATE	DESCRIPTION
PROJECT NO:	PROJECT 1	
CAD DWG FILE:		
DRAWN BY:	ANDREA NIELLO	
CHK'D BY:	PROFESSOR LIPICCOLO	
COPYRIGHT:		
SHEET TITLE:		
CONSTRUCTION DESIGN SPRING 2014: PROJECT 1		
SHEET	A-01	OF TOTAL SHEETS

PRODUCED BY AN AUTODESK EDUCATIONAL PRODUCT

PRODUCED BY AN AUTODESK EDUCATIONAL PRODUCT

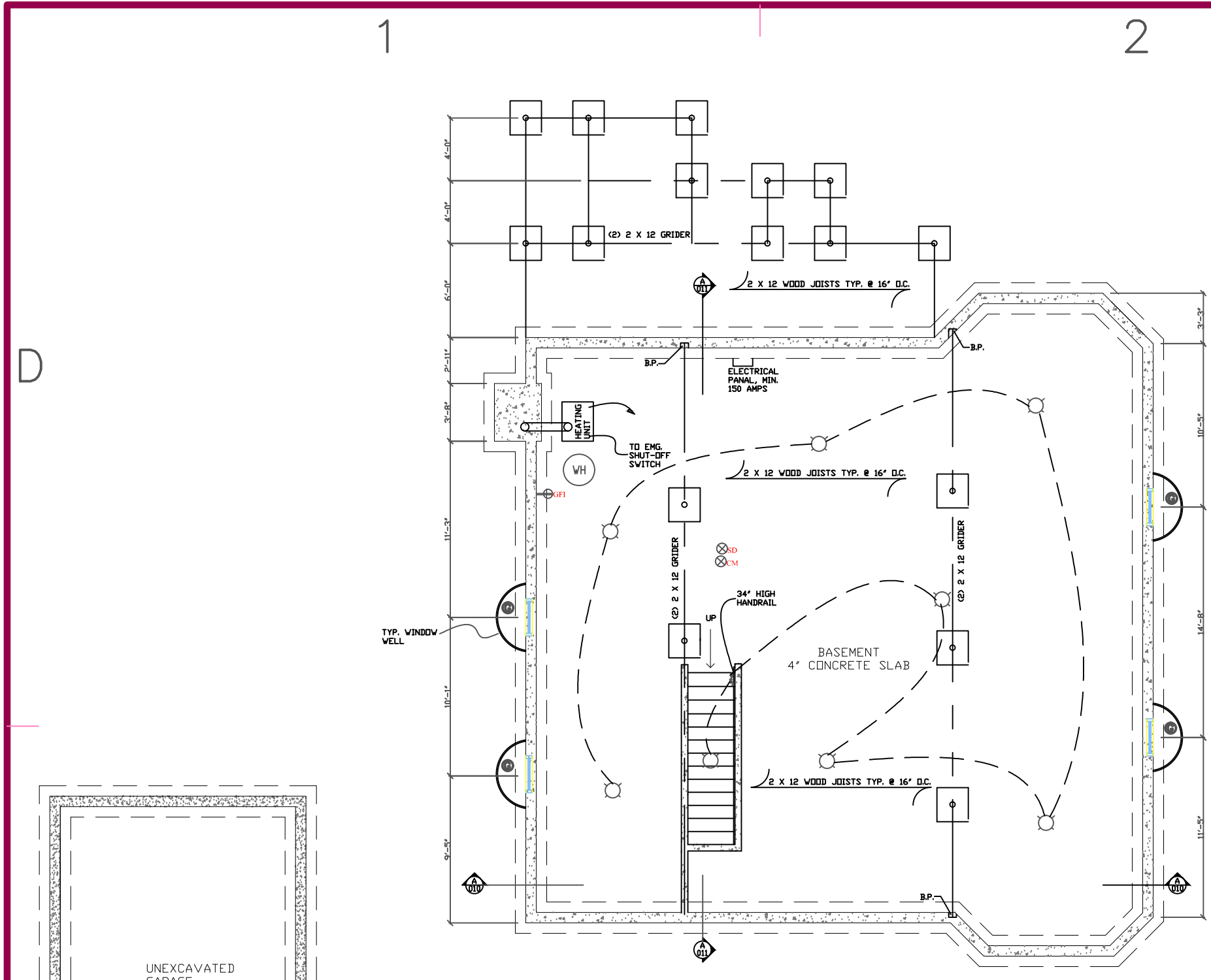
Farmingdale State College

State University of New York

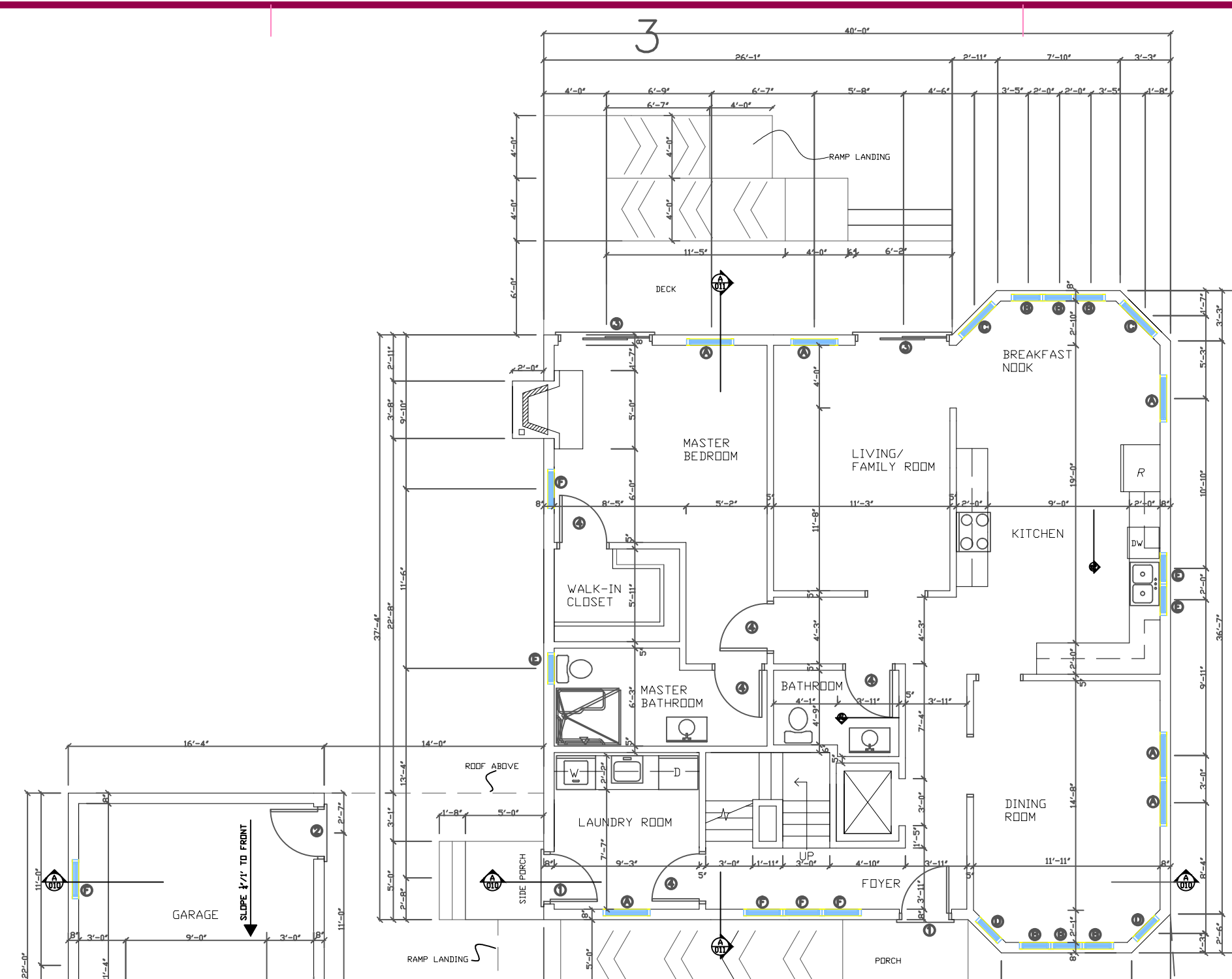
CONSULTANTS

OWNER

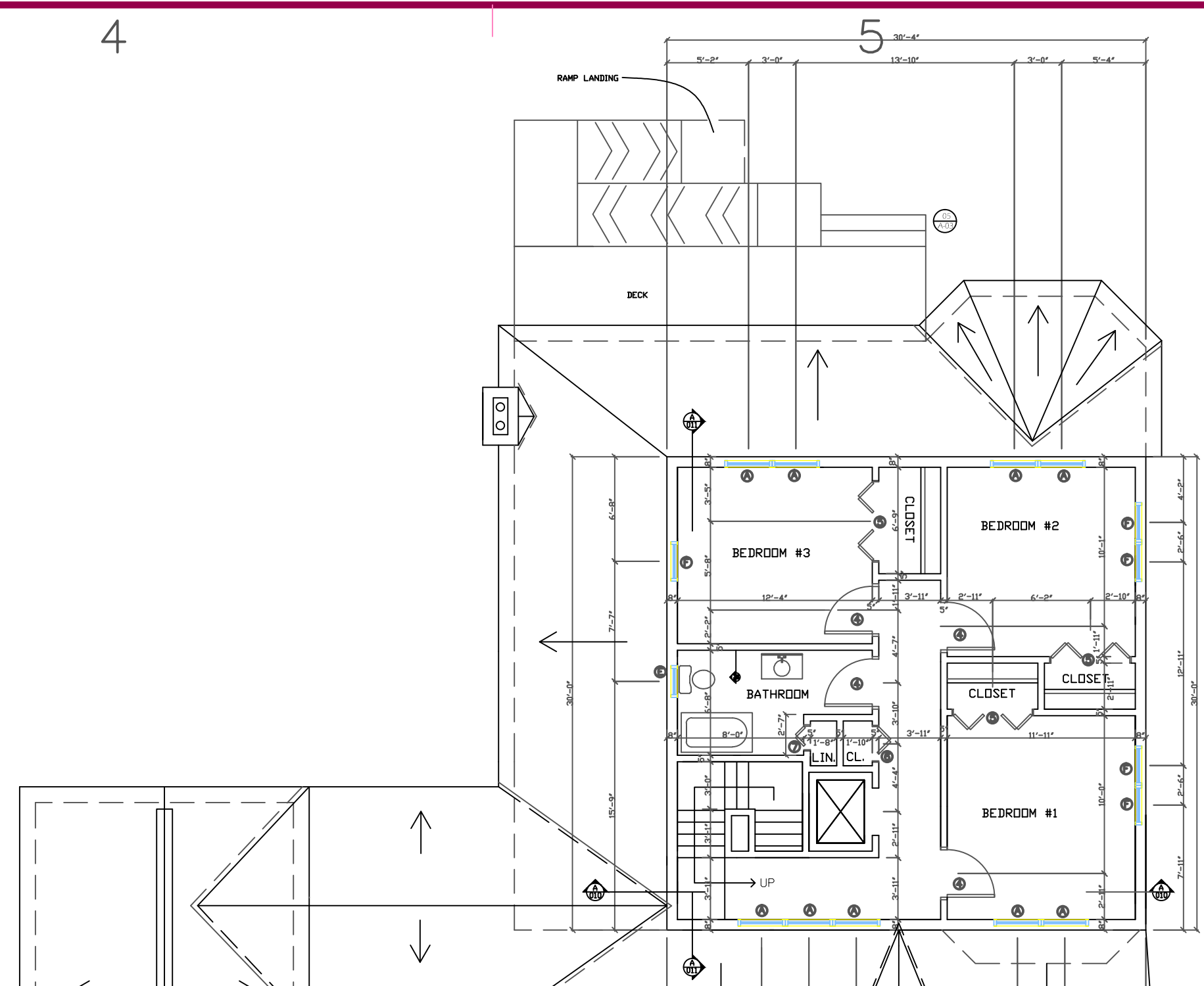
PRODUCED BY AN AUTODESK EDUCATIONAL PRODUCT



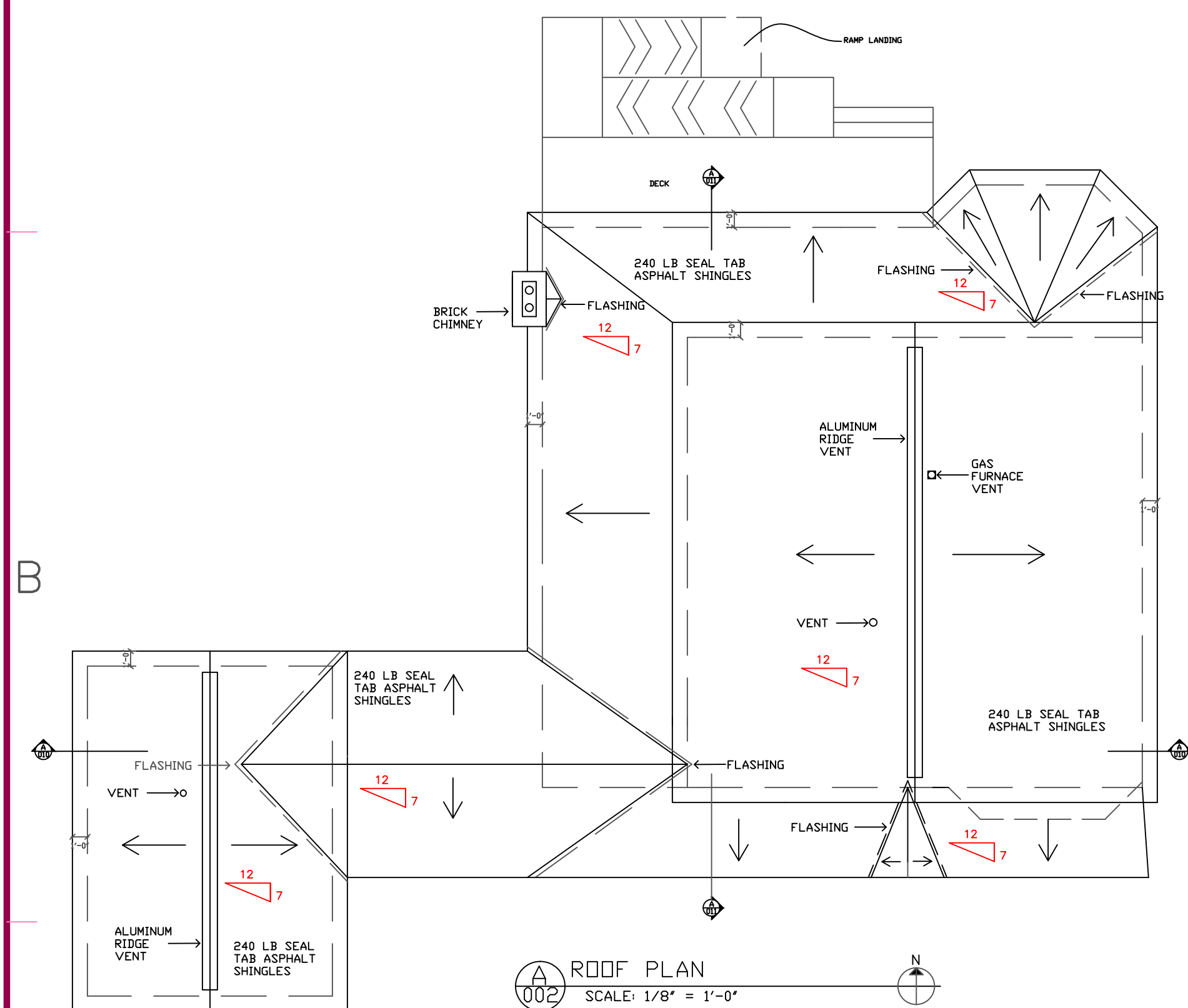
A FOUNDATION/BASEMENT PLAN
SCALE: 1/8" = 1'-0"



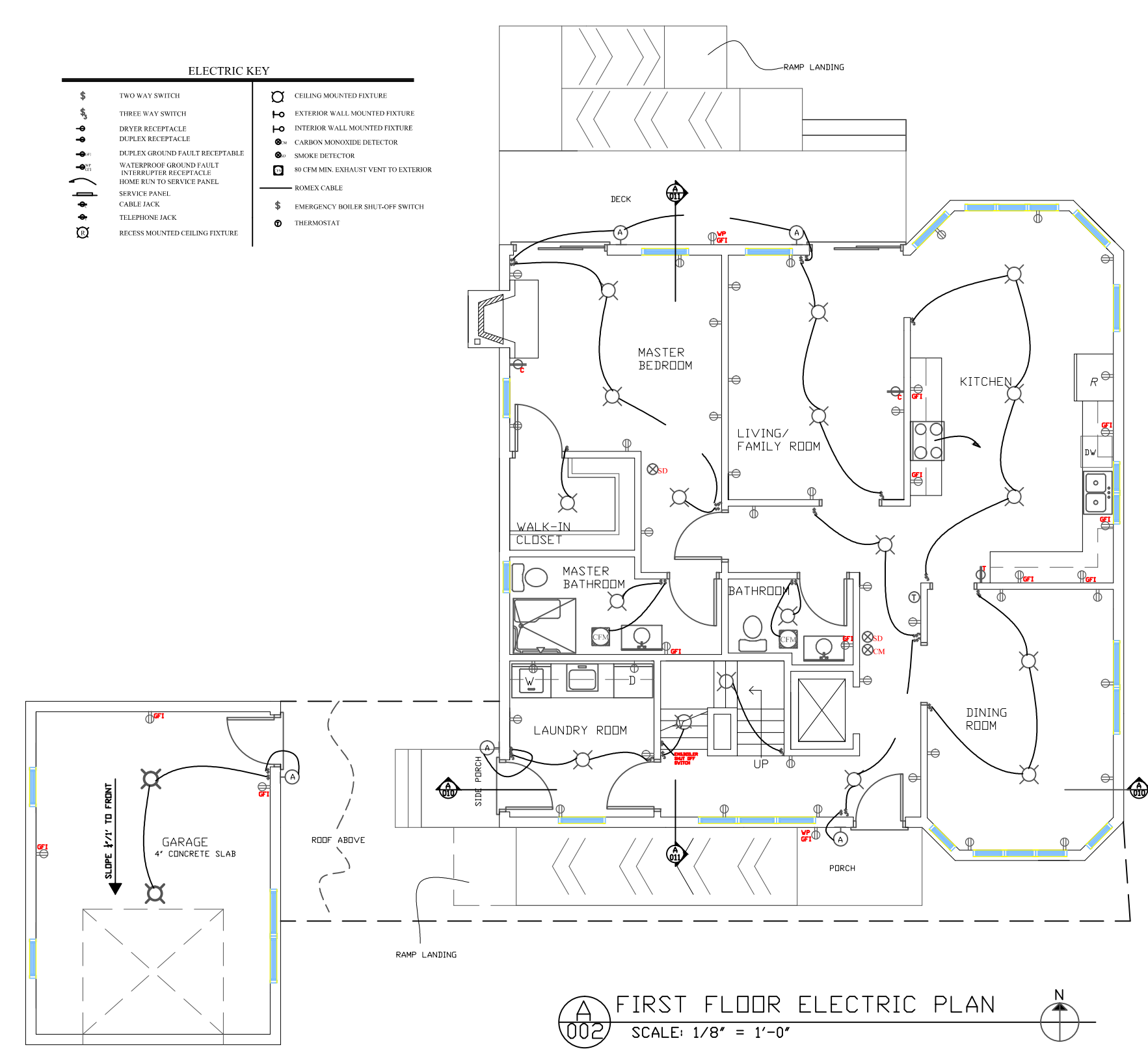
A FIRST FLOOR PLAN
SCALE: 1/8" = 1'-0"



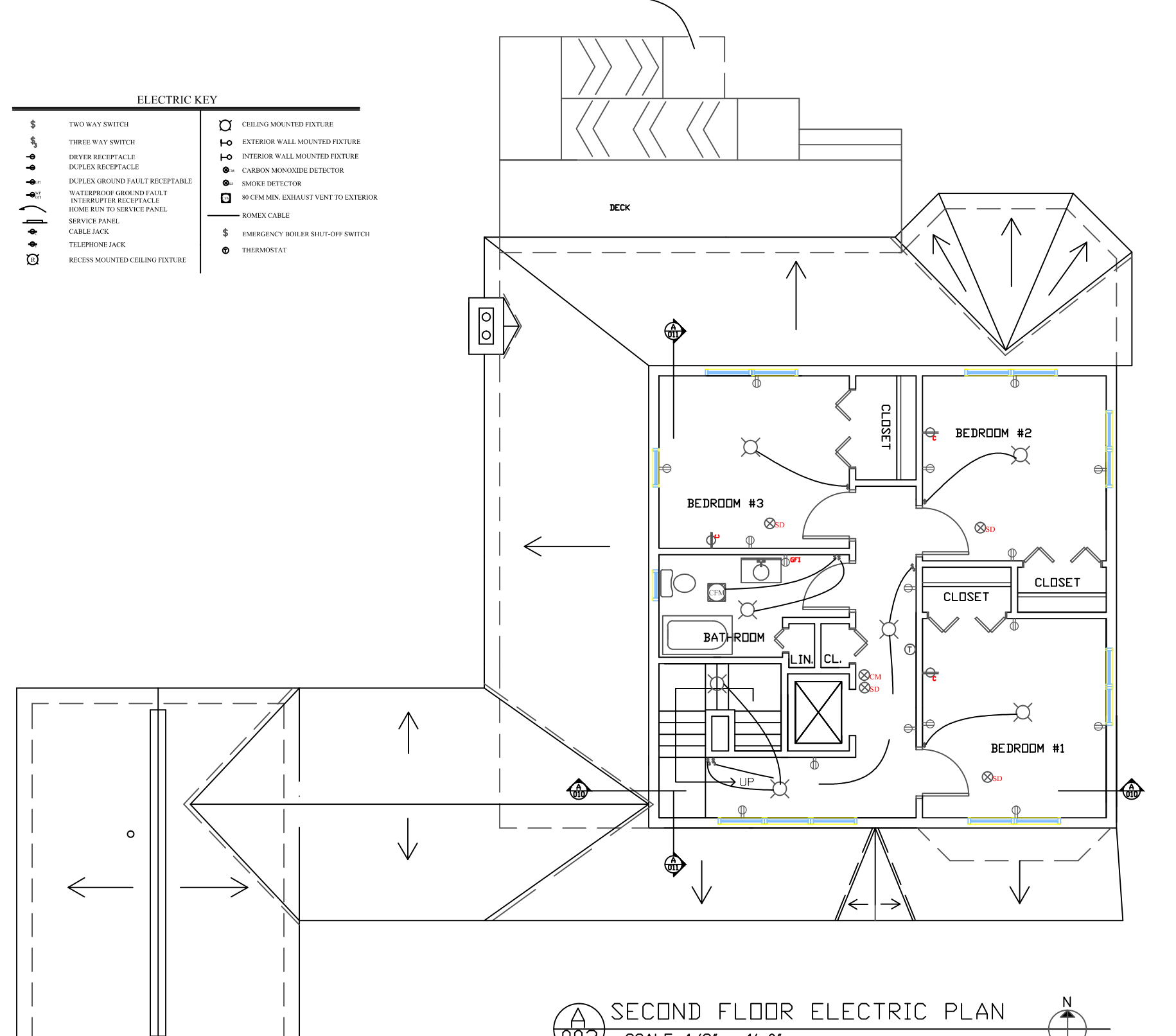
A SECOND FLOOR PLAN
SCALE: 1/8" = 1'-0"



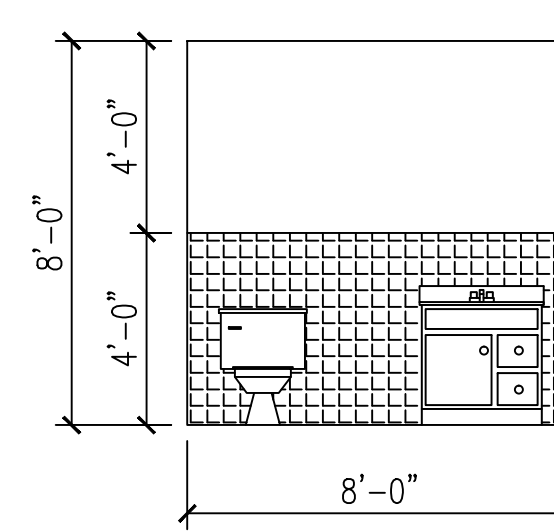
A ROOF PLAN
SCALE: 1/8" = 1'-0"



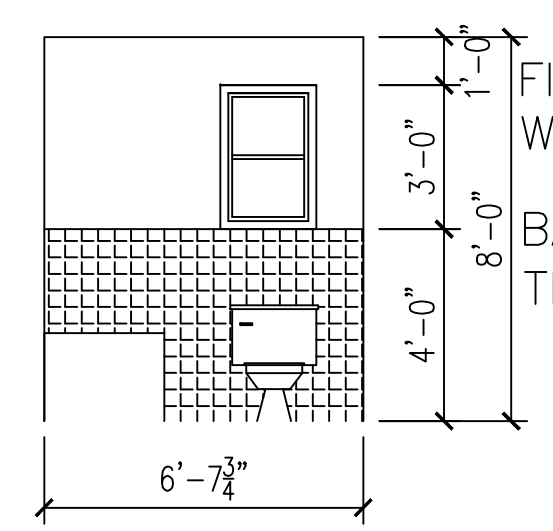
A FIRST FLOOR ELECTRIC PLAN
SCALE: 1/8" = 1'-0"



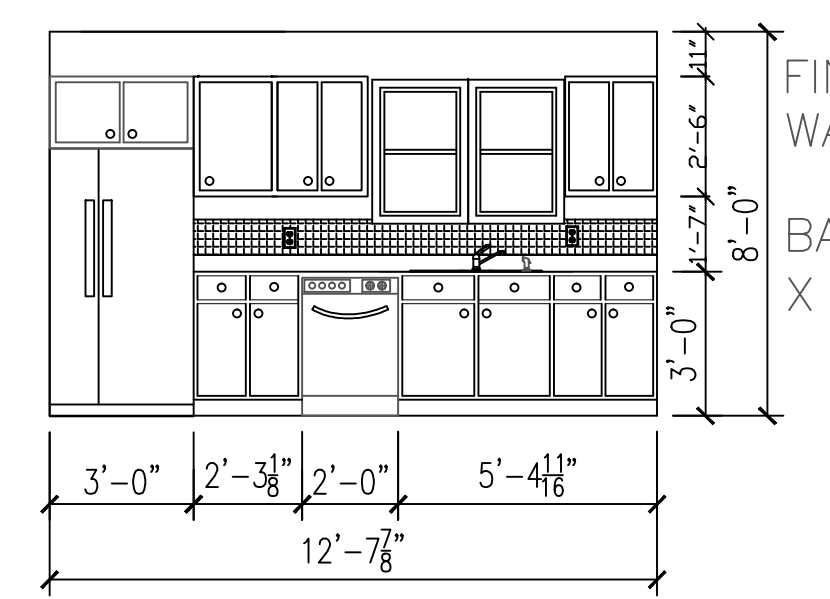
A SECOND FLOOR ELECTRIC PLAN
SCALE: 1/8" = 1'-0"



07 BATHROOM DETAIL
SCALE: 1/4" = 1'-0"



08 BATHROOM DETAIL
SCALE: 1/4" = 1'-0"



09 KITCHEN DETAIL
SCALE: 1/4" = 1'-0"

MARK	DATE	DESCRIPTION

PROJECT NO:	PROJECT 1
CAD DWG FILE:	ANDREA AIELLO PROJ 1.DWG
DRAWN BY:	ANDREA AIELLO
CHK'D BY:	PROFESSOR LIPICCOLO
COPYRIGHT:	

A SHEET TITLE
CONSTRUCTION DESIGN
SPRING 2014: PROJECT 1

PRODUCED BY AN AUTODESK EDUCATIONAL PRODUCT

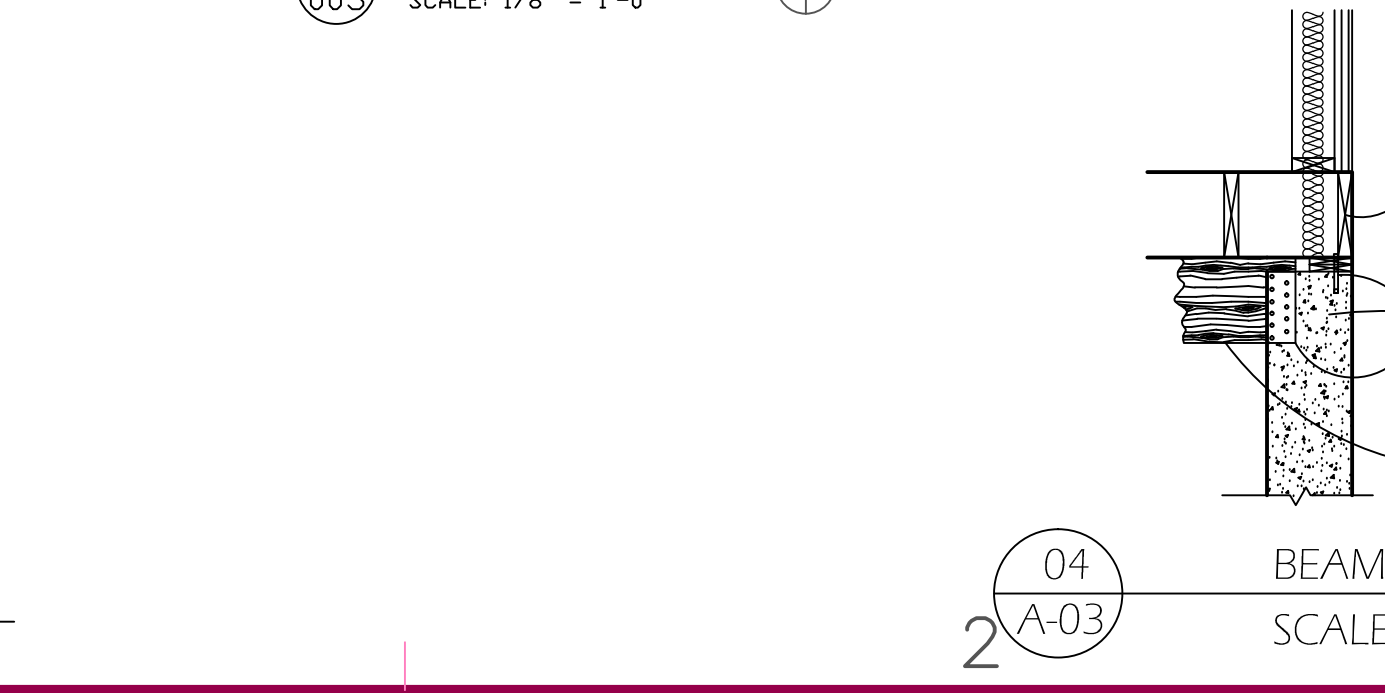
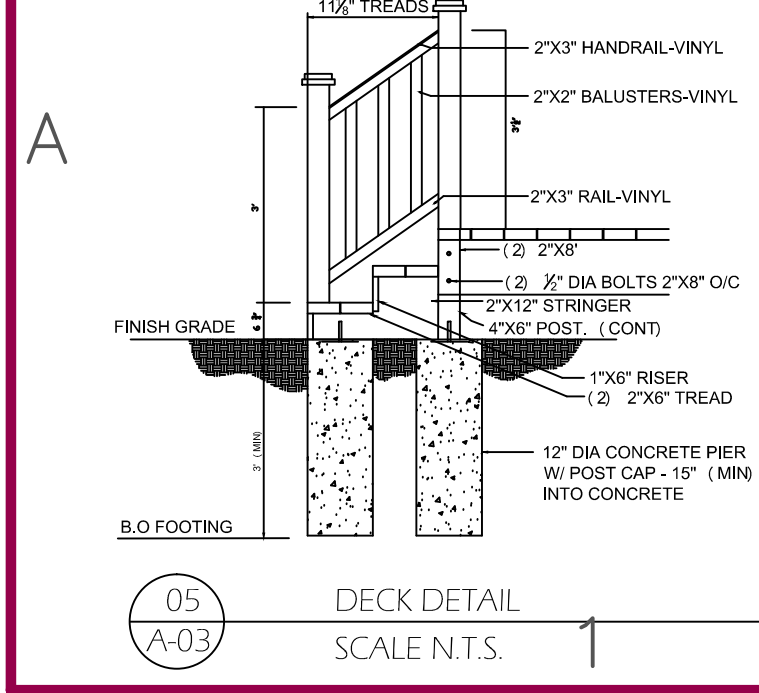
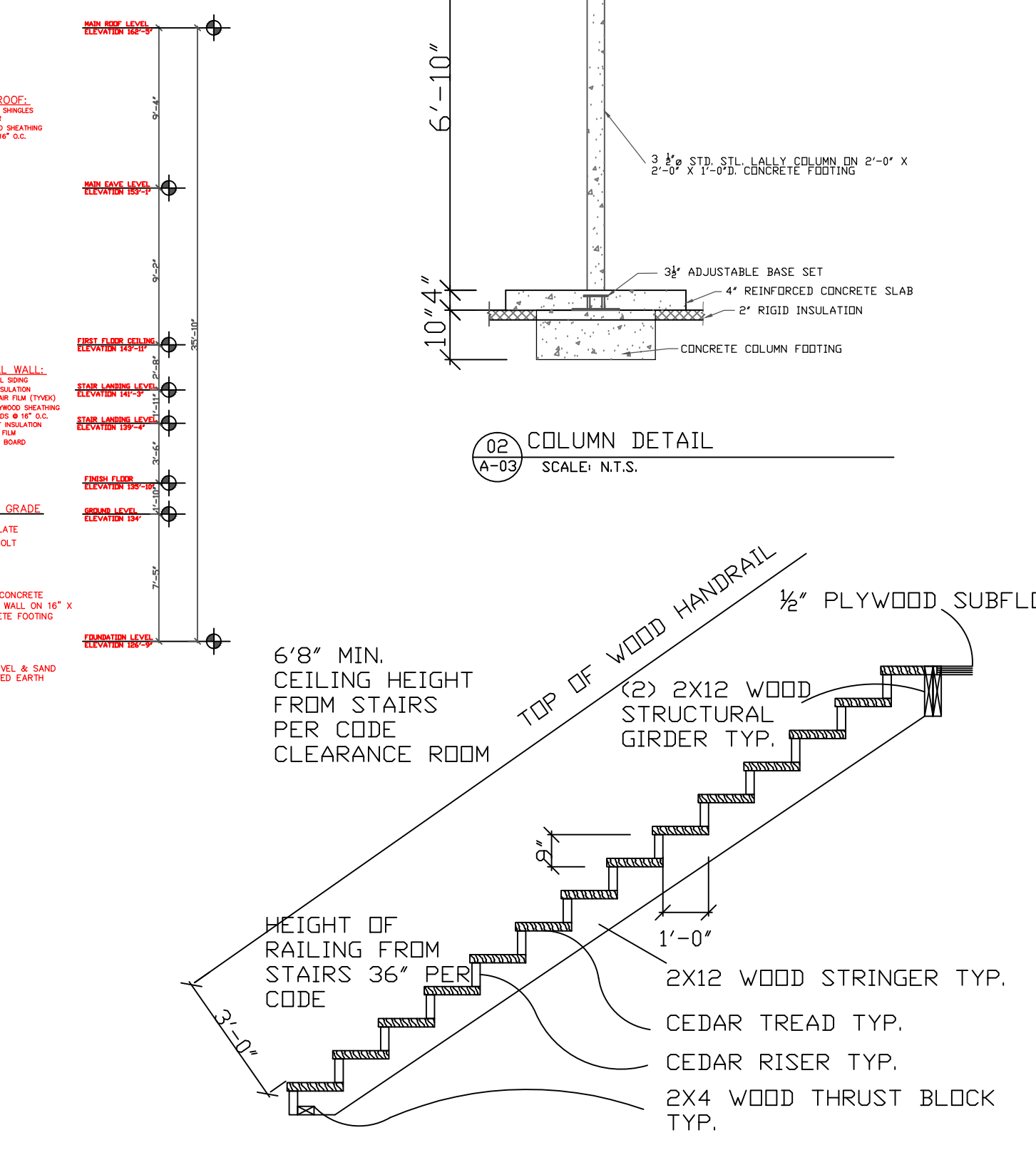
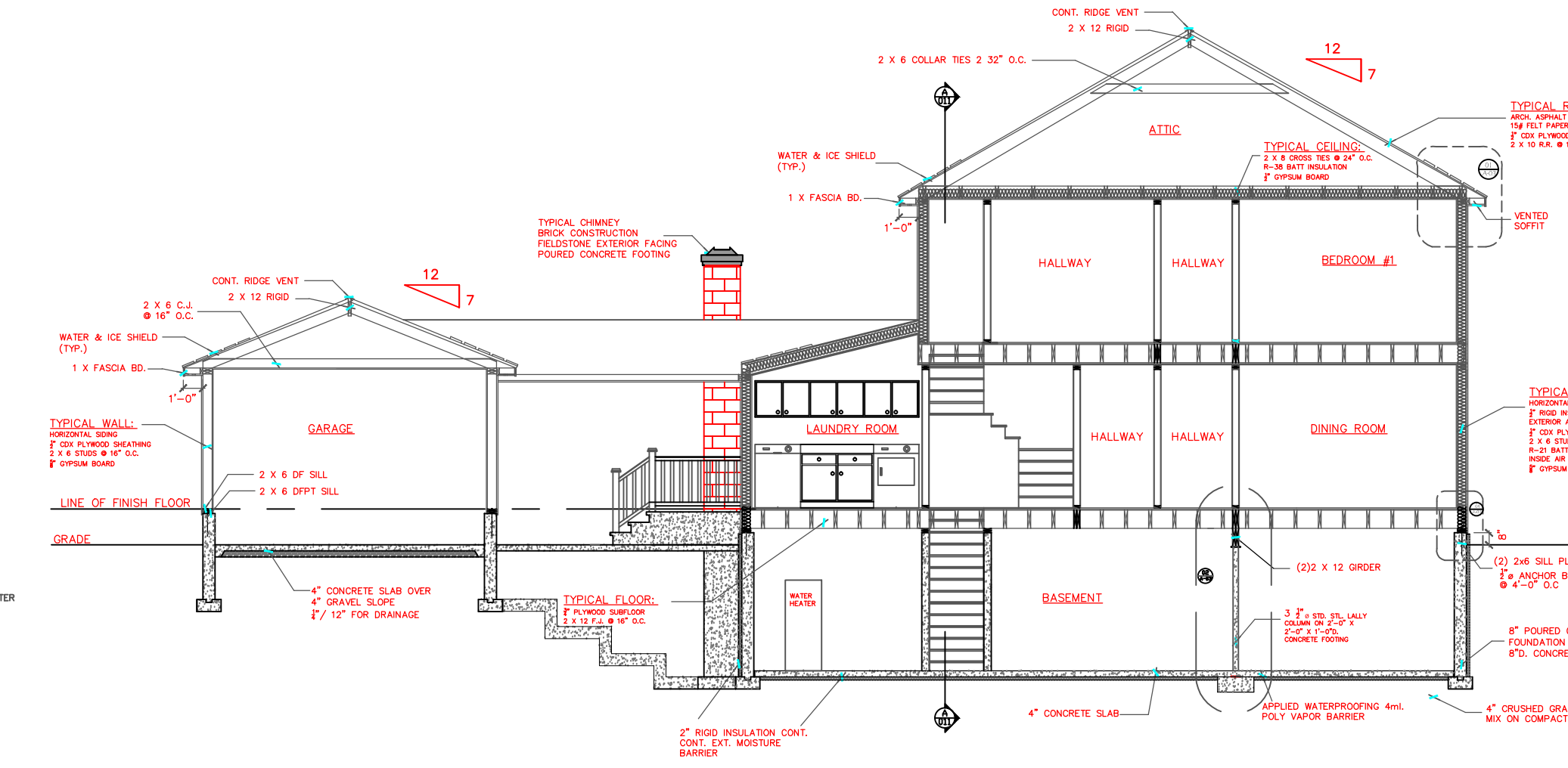
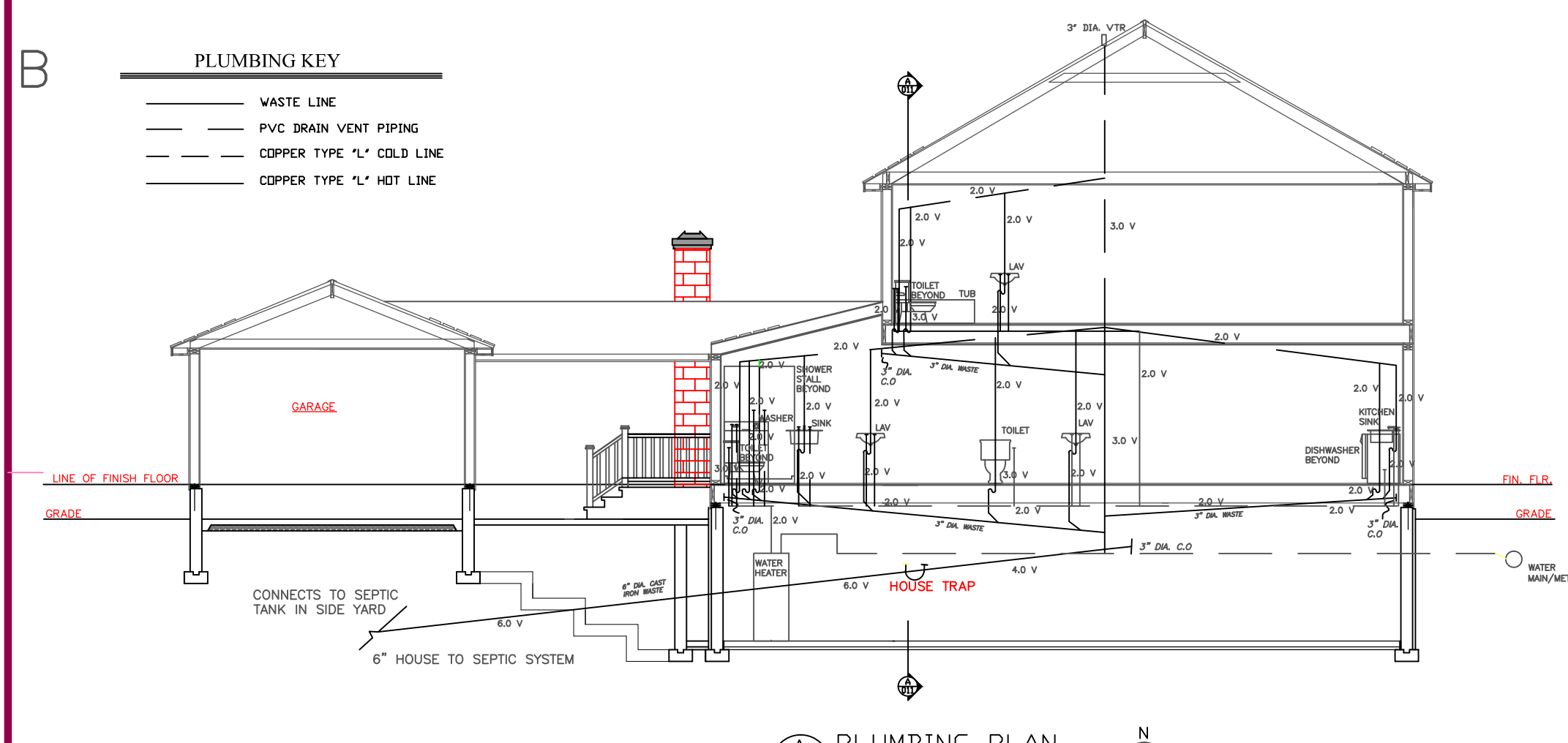
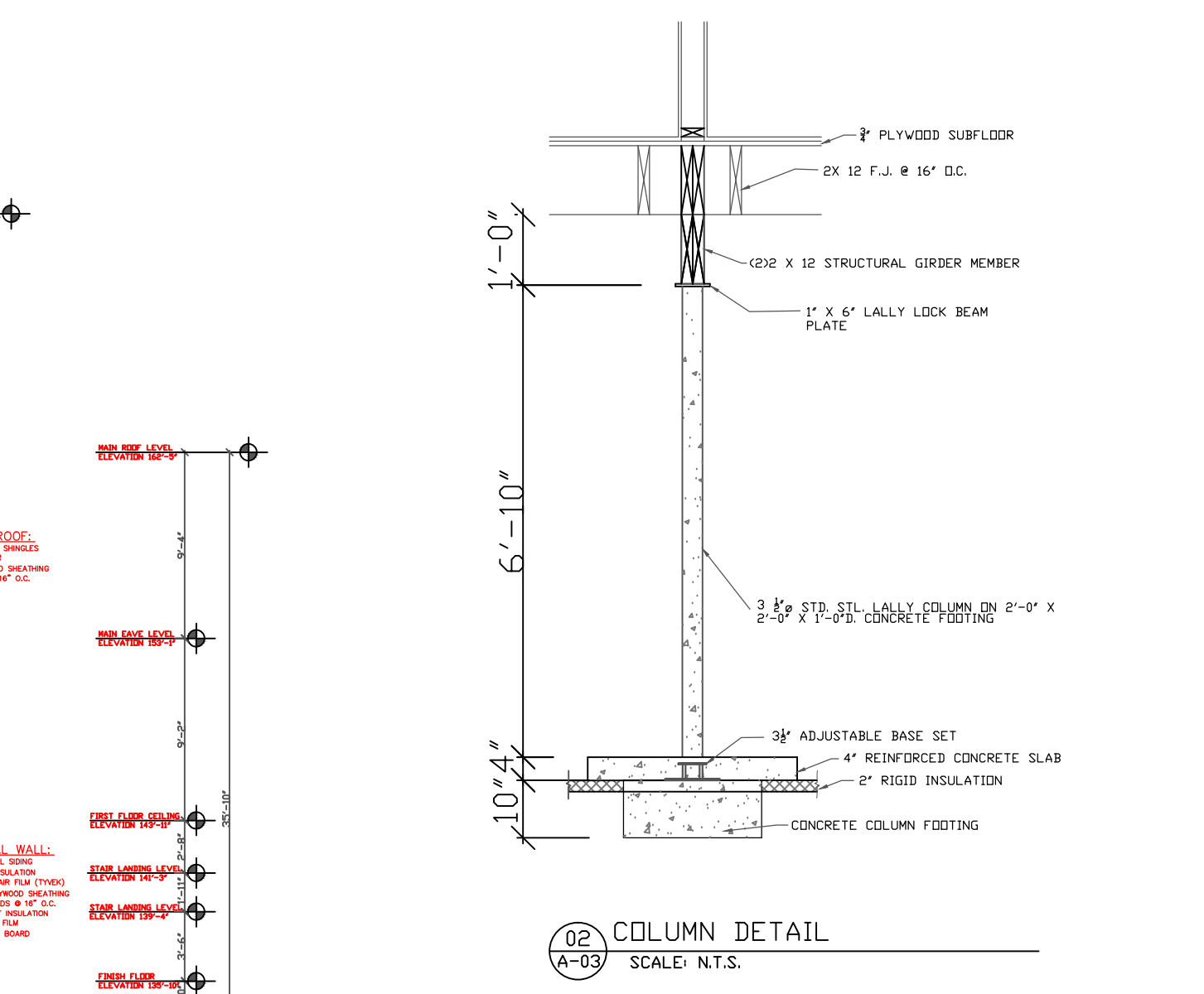
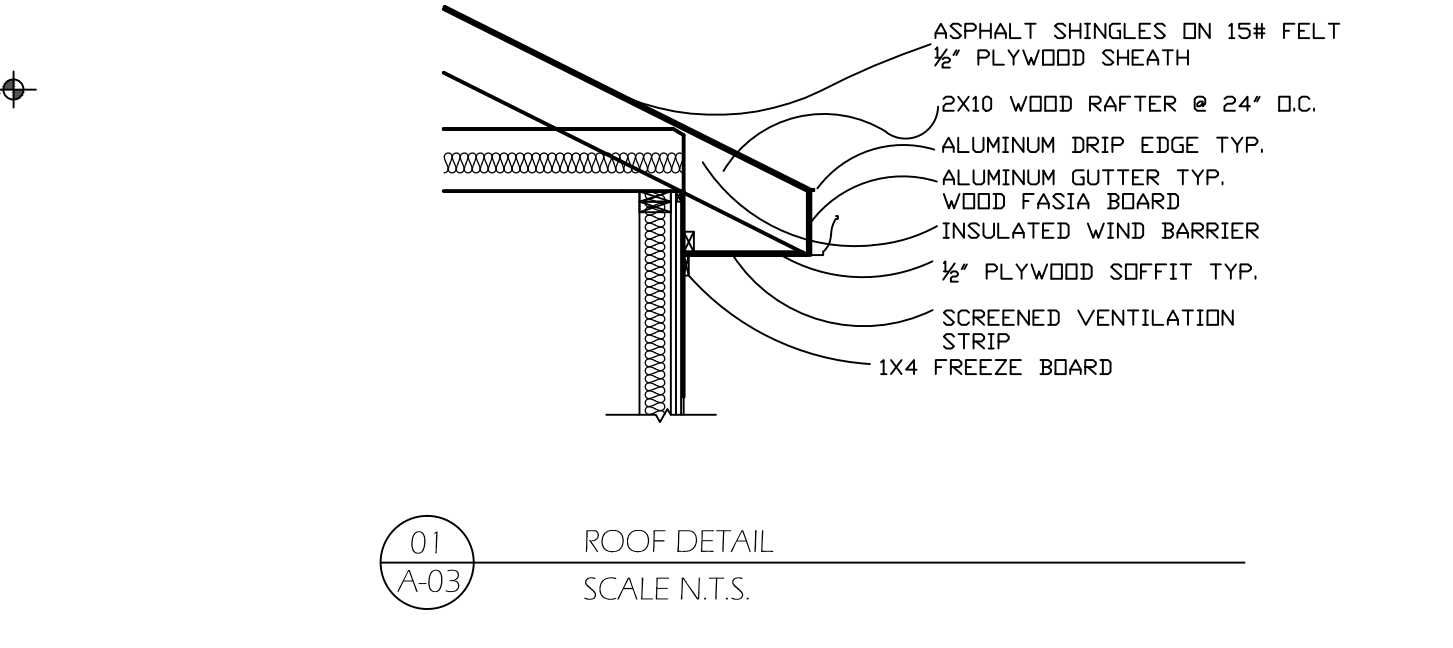
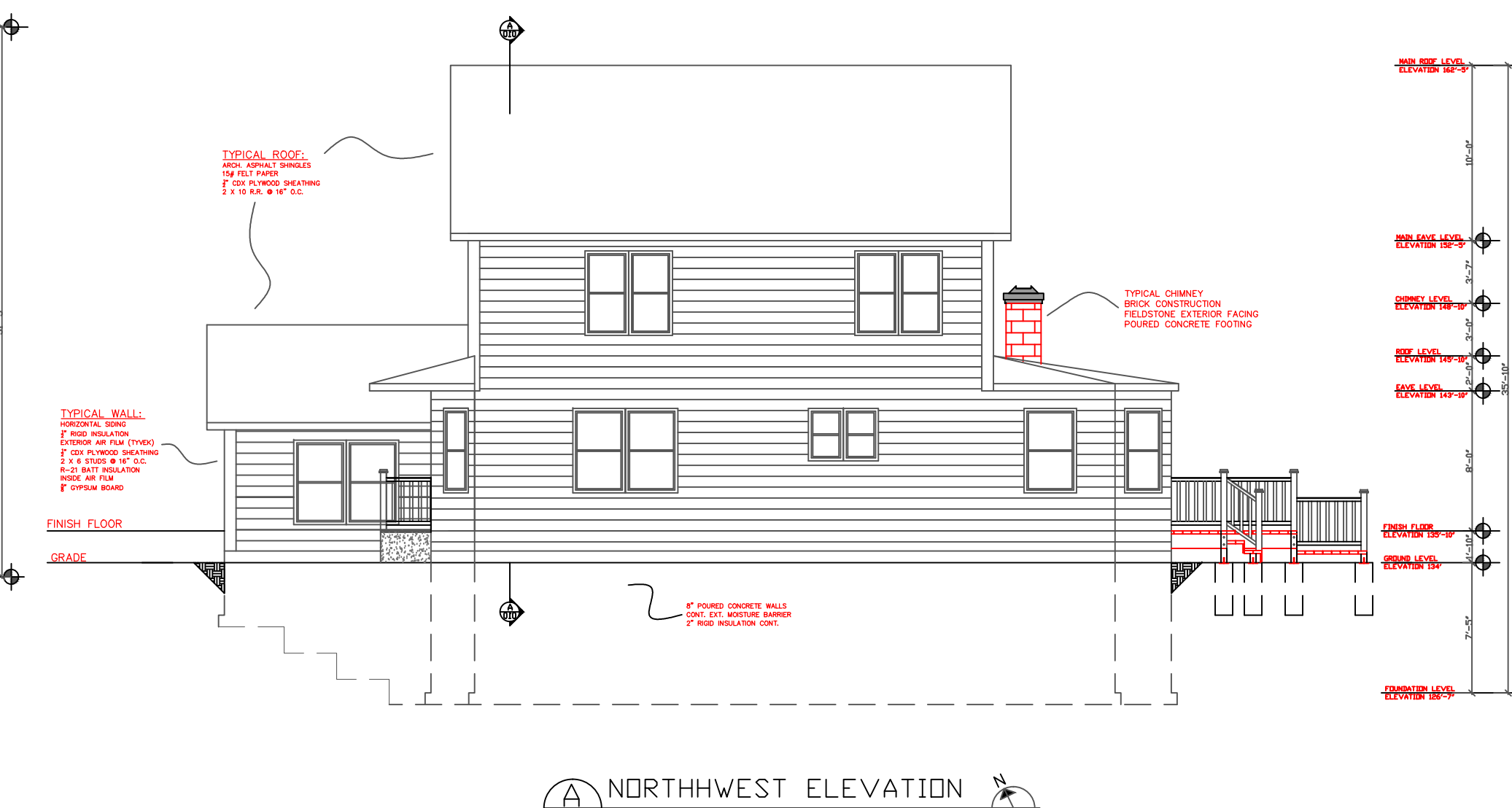
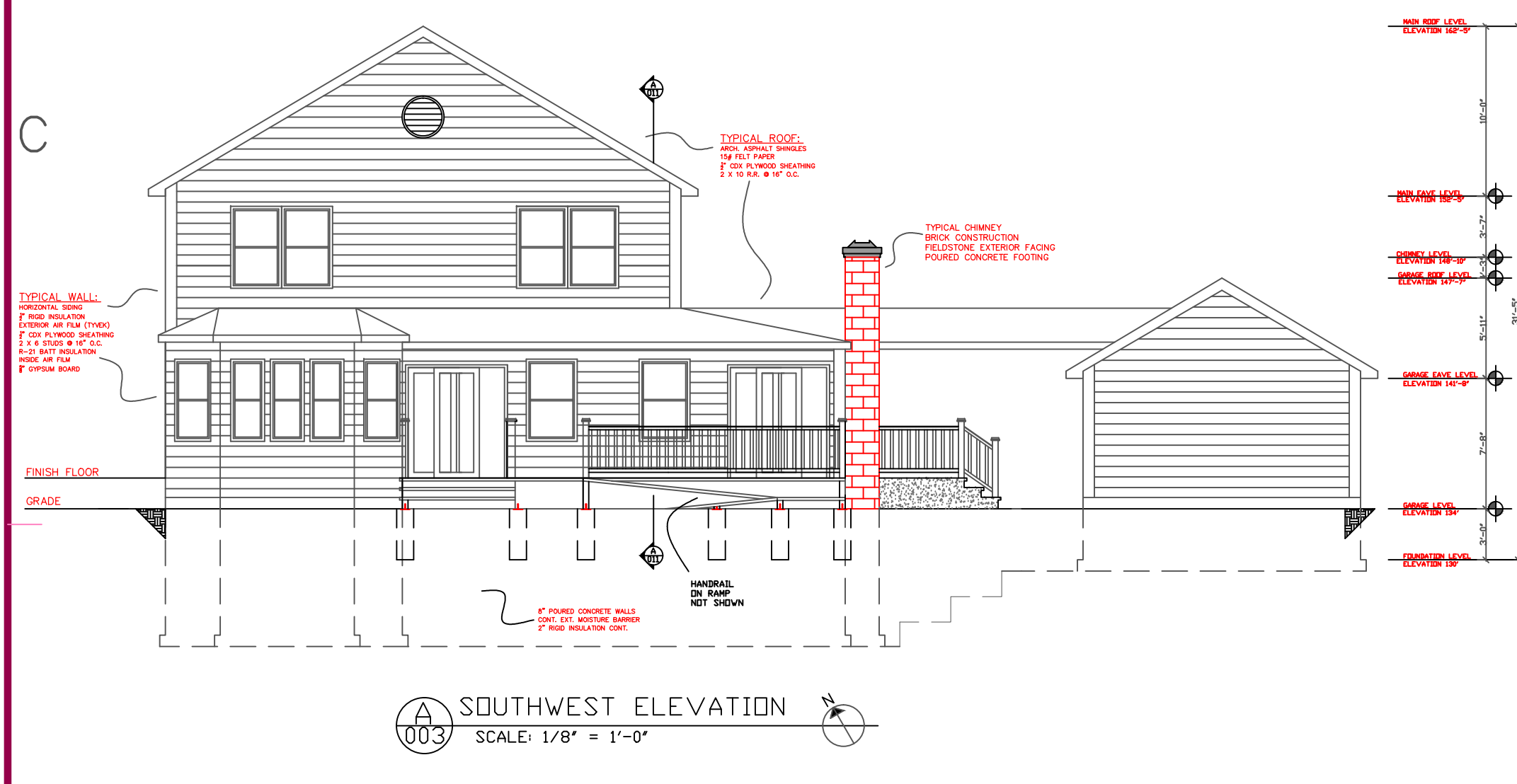
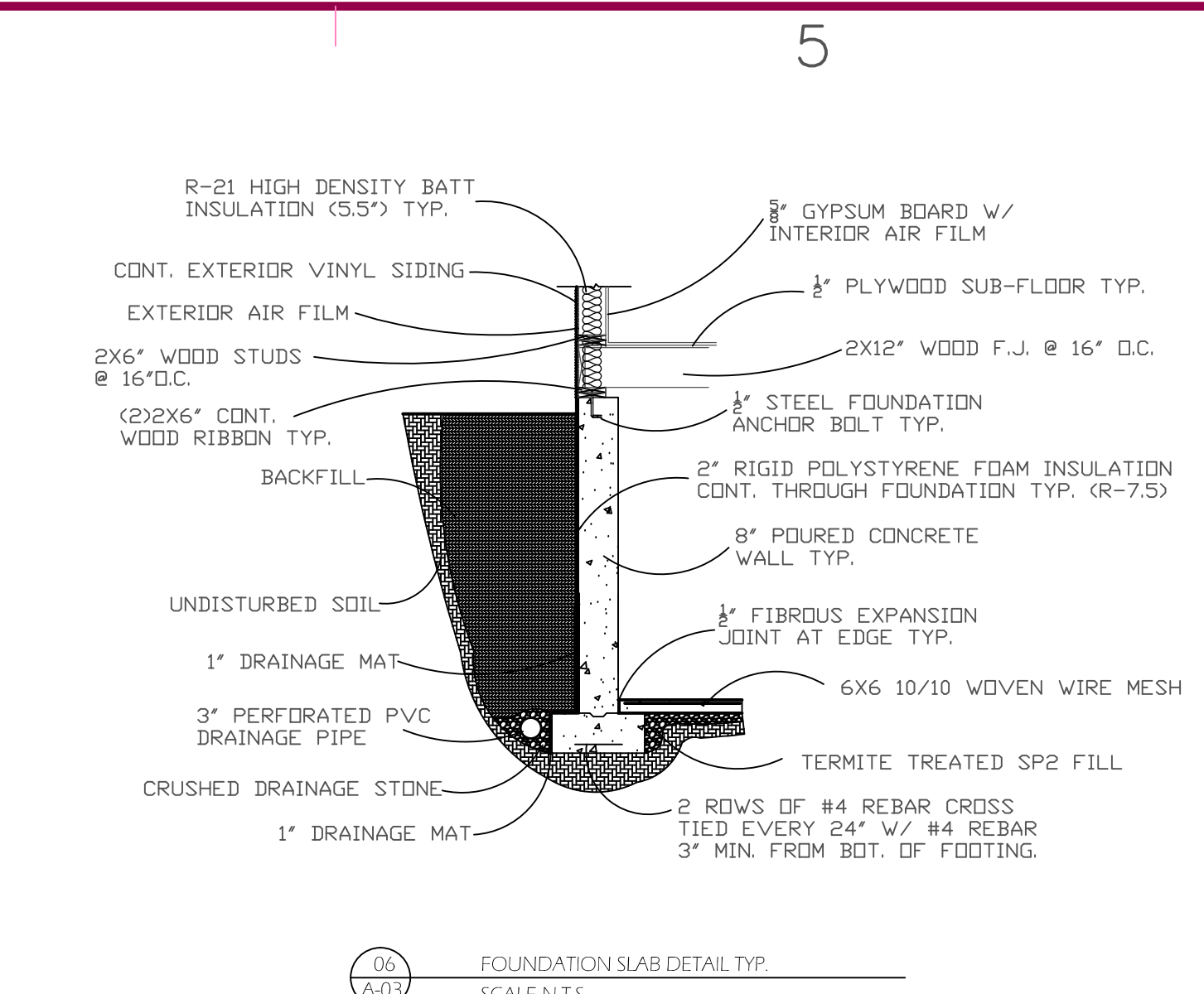
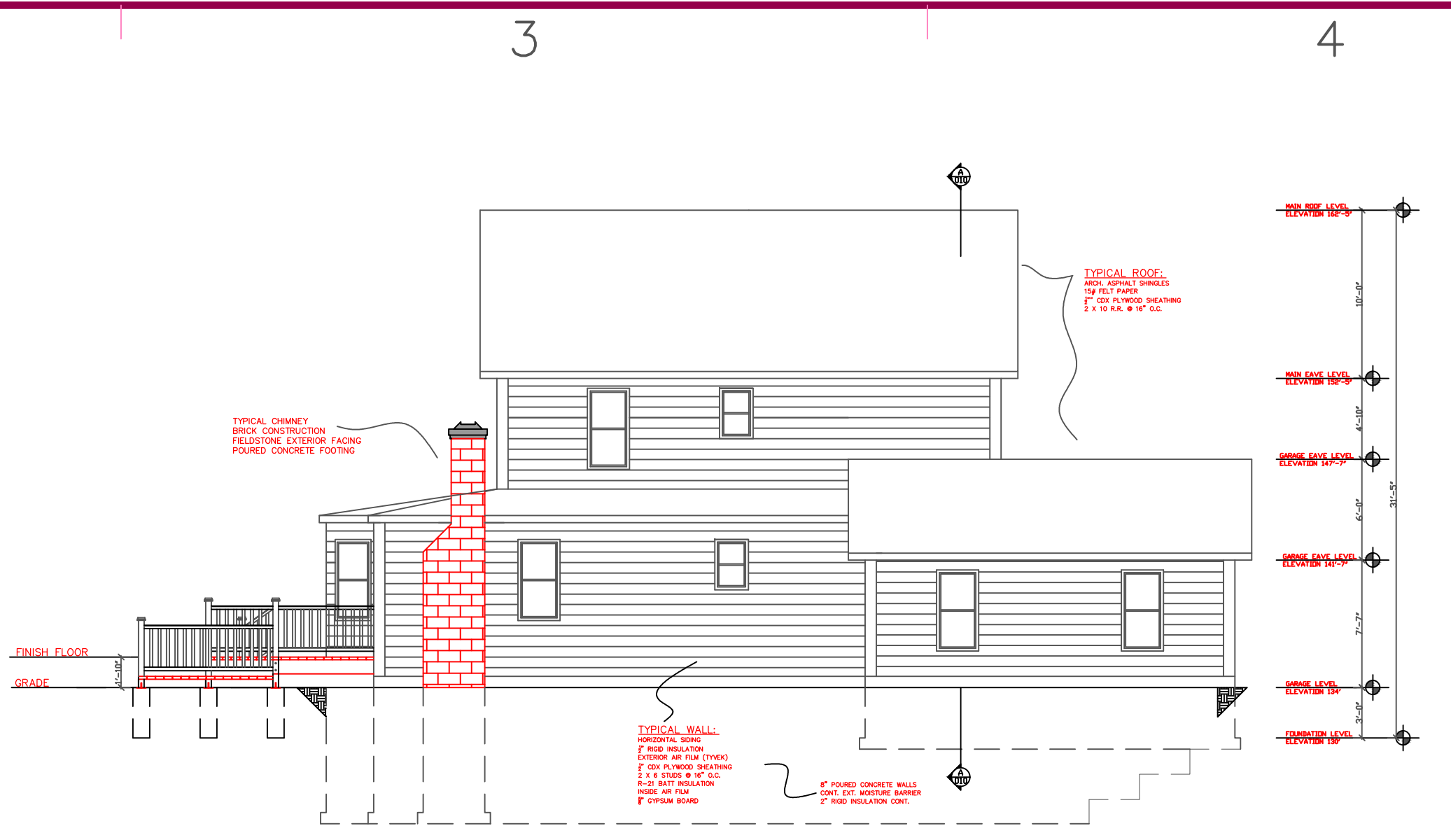
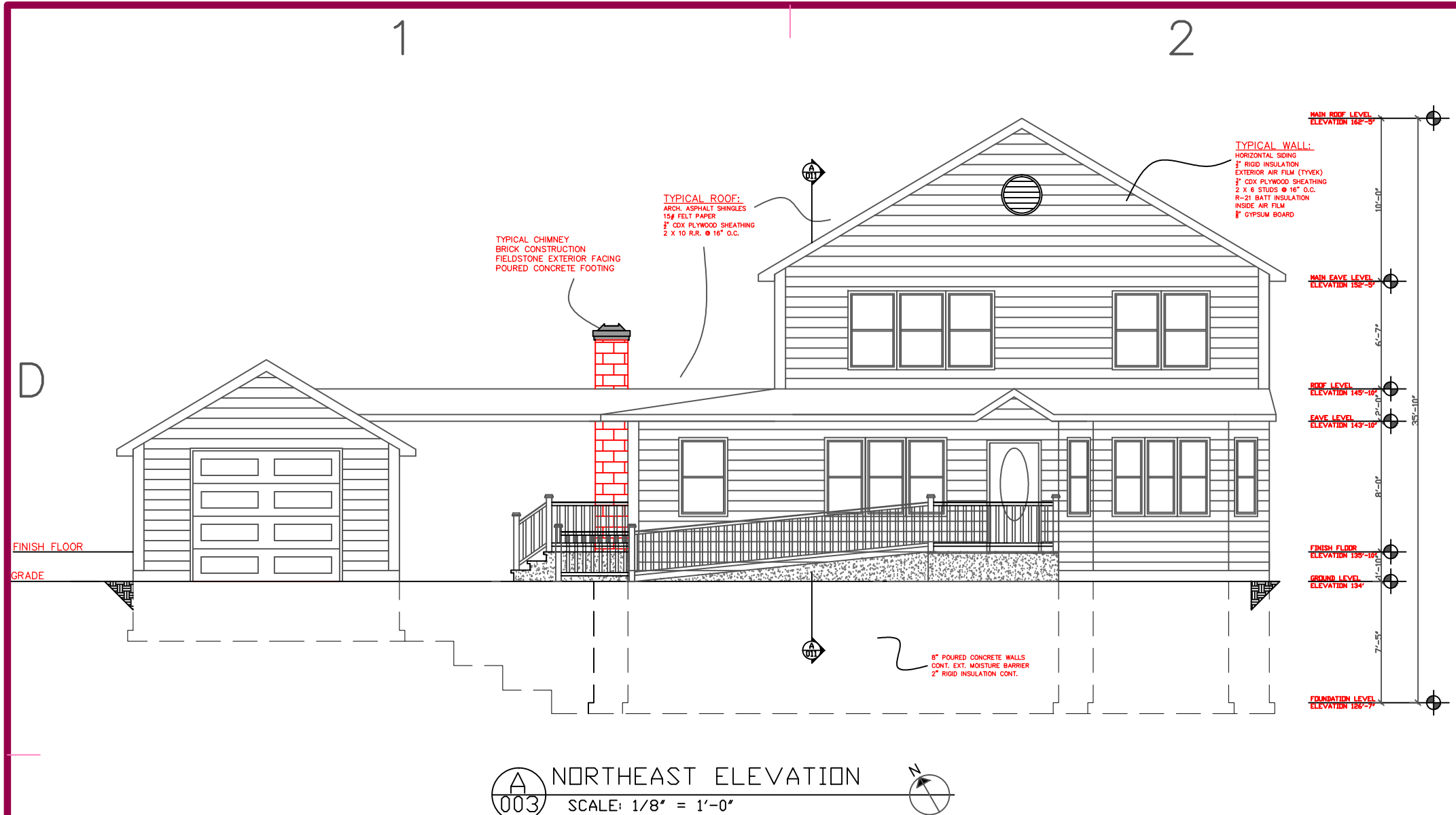
Farmingdale State College

State University of New York

CONSULTANTS

OWNER

PRODUCED BY AN AUTODESK EDUCATIONAL PRODUCT



MARK	DATE	DESCRIPTION
PROJECT NO:		PROJECT 1
CAD DWG FILE:		ANDREA AIELLO PROJ 1.DWG
DRAWN BY:		ANDREA AIELLO
CHK'D BY:		PROFESSOR LIPICCOLO
COPYRIGHT:		
SHEET TITLE		
CONSTRUCTION DESIGN SPRING 2014; PROJECT 1		
A-03		
SHEET	SHEET INDEX	OF TOTAL SHEETS

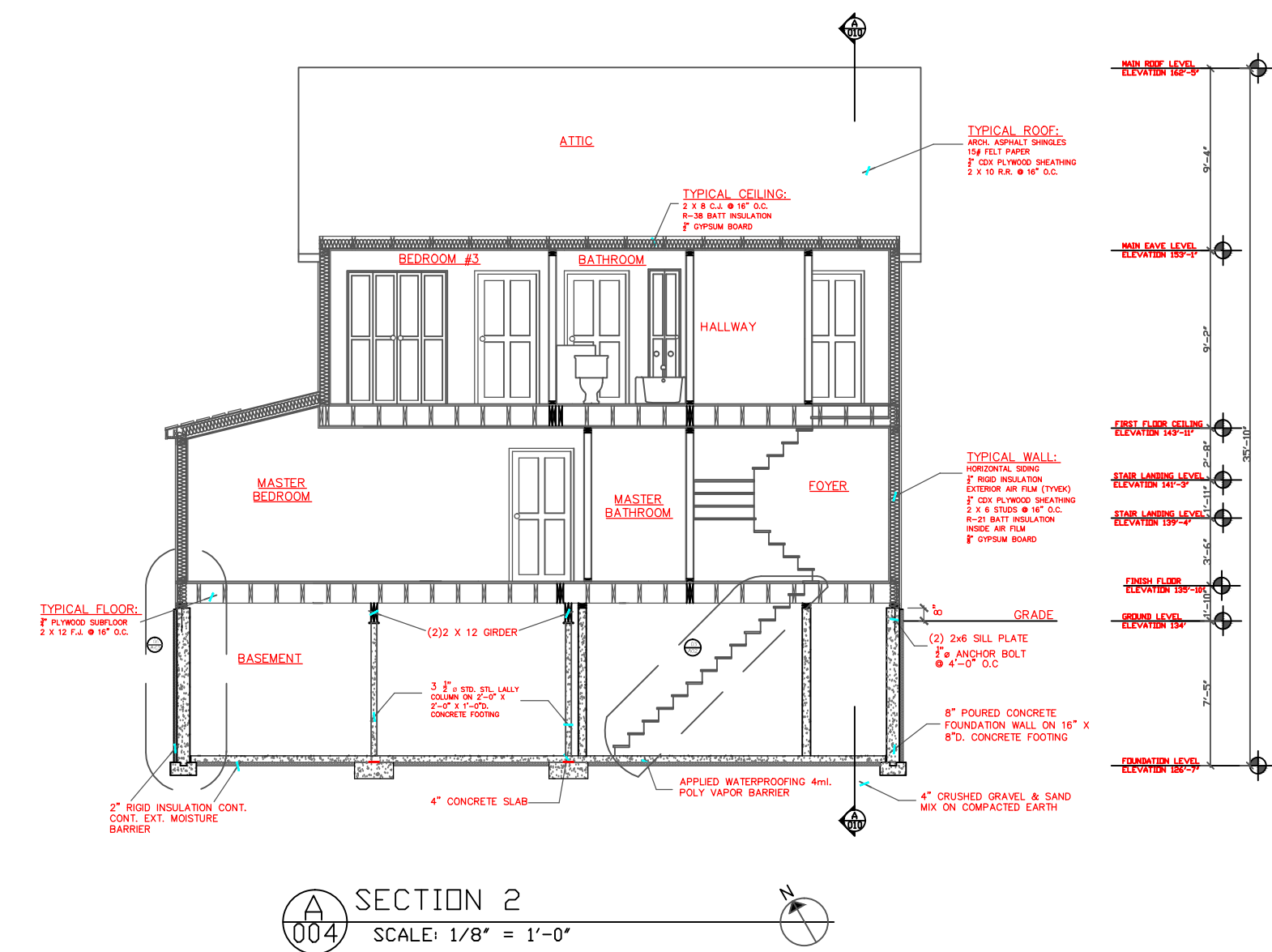
1

2

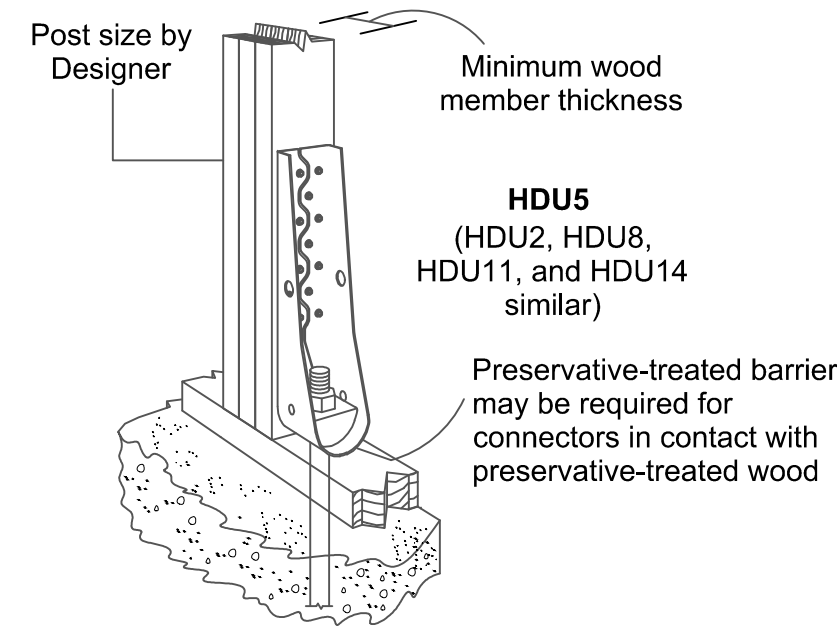
3

4

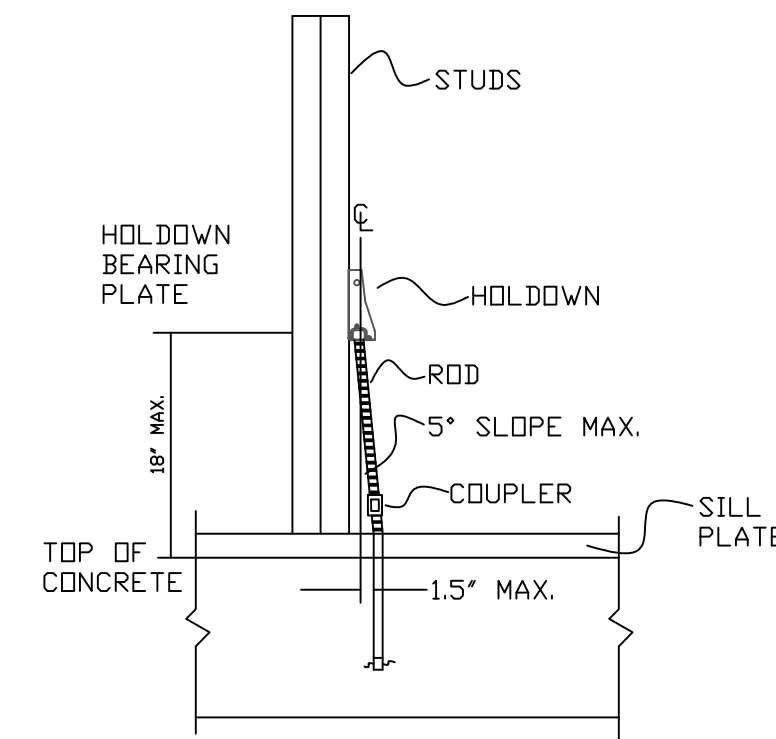
5



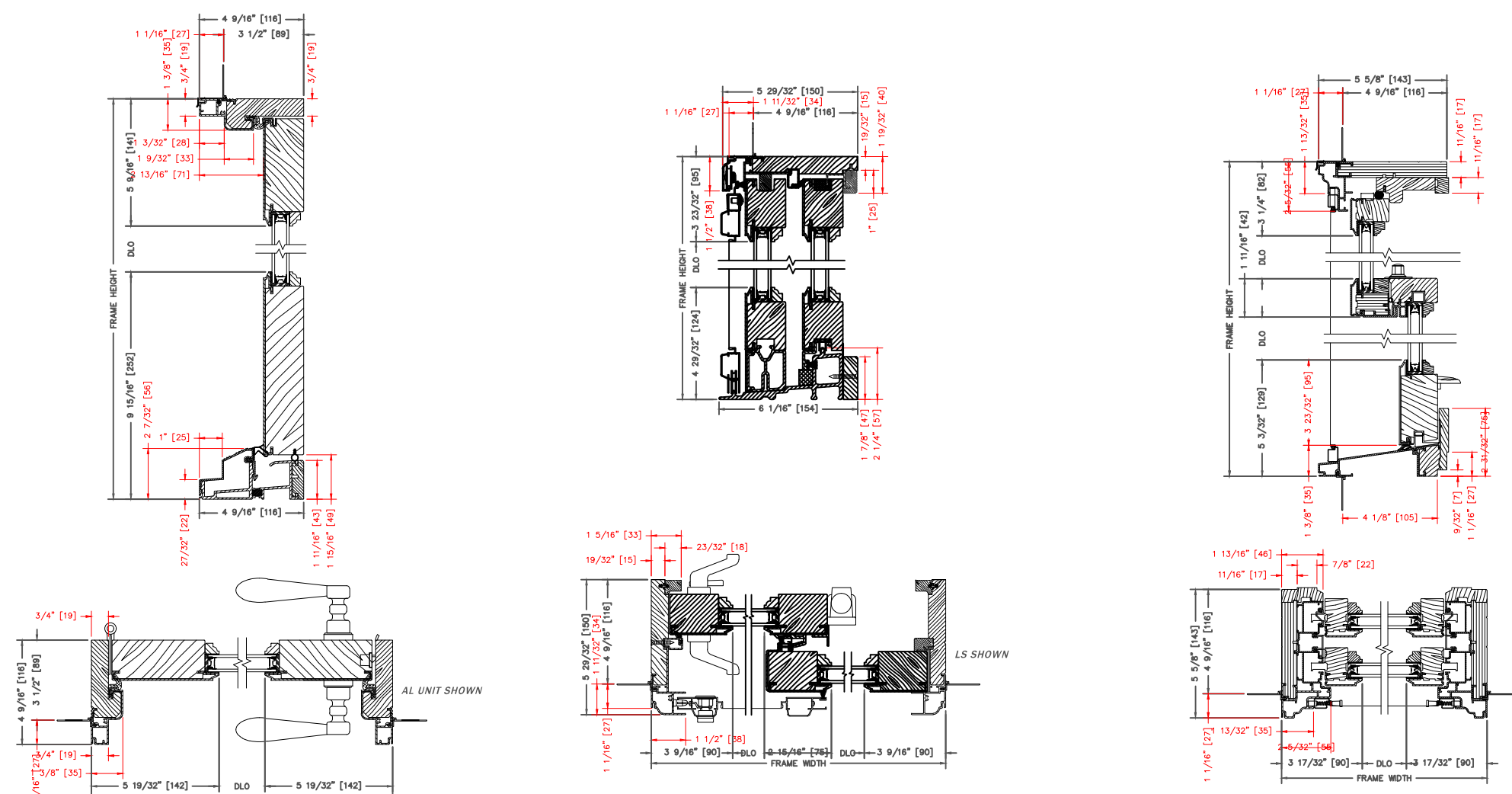
SECTION 2
SCALE: 1/8" = 1'-0"



A-003 WIND AND STRUCTURAL DETAIL
SCALE N.T.S.



A-004 WIND AND STRUCTURAL DETAIL
SCALE N.T.S.



EXTERIOR DOOR

EXTERIOR SLIDING DOOR

DOUBLE-HUNG WINDOW

A-004 WINDOW AND DOOR DETAILS
SCALE N.T.S.

WINDOW SCHEDULE						
SYM.	SIZE		TYPE	FRAME	SCR.	REMARKS
	WIDTH	HEIGHT				
(A)	3'-0"	4'-10"	DOUBLE HUNG	WOOD	YES	ANDERSON 400 SERIES LOW E4 GLAZE
(B)	2'-0"	4'-10"	DOUBLE HUNG	WOOD	YES	ANDERSON 400 SERIES LOW E4 GLAZE
(C)	2'-1 1/8"	4'-10"	DOUBLE HUNG	WOOD	YES	ANDERSON 400 SERIES LOW E4 GLAZE
(D)	1'-5"	4'-10"	DOUBLE HUNG	WOOD	YES	ANDERSON 400 SERIES LOW E4 GLAZE
(E)	2'-0"	3'-0"	DOUBLE HUNG	WOOD	YES	ANDERSON 400 SERIES LOW E4 GLAZE
(F)	2'-6"	4'-10"	DOUBLE HUNG	WOOD	YES	ANDERSON 400 SERIES LOW E4 GLAZE
(G)	2'-4 3/8"	1'-8.5"	AWNING	WOOD	YES	ANDERSON 400 SERIES LOW E4 GLAZE

DOOR SCHEDULE						
SYM.	SIZE		THK.	TYPE	MATERIAL	REMARKS
	WIDTH	HEIGHT				
(1)	3'-0"	6'-8"	1 3/8"	EXTERIOR	WOOD	1/2\"/>
(2)	3'-0"	6'-8"	1 3/8"	EXTERIOR	STEEL/WOOD	1/2\"/>
(3)	6'-0"	6'-8"	1 3/8"	EXTERIOR	WOOD	1/2\"/>
(4)	3'-0"	6'-8"	1 3/8"	INTERIOR	WOOD	6 PANEL CEDAR INTERIOR DOOR
(5)	5'-0"	6'-8"	1 3/8"	INTERIOR	WOOD	6 PANEL CEDAR INTERIOR DOUBLE BIFOLD DOOR
(6)	2'-2"	6'-8"	1 3/8"	INTERIOR	WOOD	6 PANEL CEDAR INTERIOR BIFOLD DOOR
(7)	1'-6"	6'-8"	1 3/8"	INTERIOR	WOOD	6 PANEL CEDAR INTERIOR BIFOLD DOOR

ROOM	INTERIOR FINISH SCHEDULE									
	CARPET	TILE	FLOOR		BASE		WALL		CEILING	
			WOOD	CONCRETE	WOOD	CONCRETE	8\"/>			
ENTRY									8'-0"	
DINING ROOM									8'-0"	
KITCHEN									8'-0"	
BREAKFAST NOOK									9'-6 1/8"	VAULTED CEILING
LIVING/FAMILY ROOM									9'-6 1/8"	HALF VAULTED CEILING
LAUNDRY ROOM									9'-6 1/8"	VAULTED CEILING
MASTER BEDROOM									9'-6 1/8"	HALF VAULTED CEILING
MASTER BATHROOM									9'-6 1/8"	HALF VAULTED CEILING
MASTER CLOSET									9'-6 1/8"	VAULTED CEILING
GARAGE									9'-8 1/2"	8\"/>
BASEMENT									7'-10 1/8"	8\"/>
BATHROOMS									8'-0"	
HALLWAYS									8'-0"	
CLOSETS									8'-0"	
STAIRS									-	
BEDROOM #1									8'-0"	
BEDROOM #2									8'-0"	
BEDROOM #3									8'-0"	

CONSULTANTS

OWNER

B

MARK DATE DESCRIPTION

PROJECT NO: PROJECT 1
CAD DWG FILE: ANDREA AIELLO PROJ 1.DWG
DRAWN BY: ANDREA AIELLO
CHK'D BY: PROFESSOR LIPICCOLO
COPYRIGHT:

SHEET TITLE
CONSTRUCTION DESIGN
SPRING 2014: PROJECT 1

A-04

SHEET SHEET INDEX OF TOTAL SHEETS

1

2

3

4

5